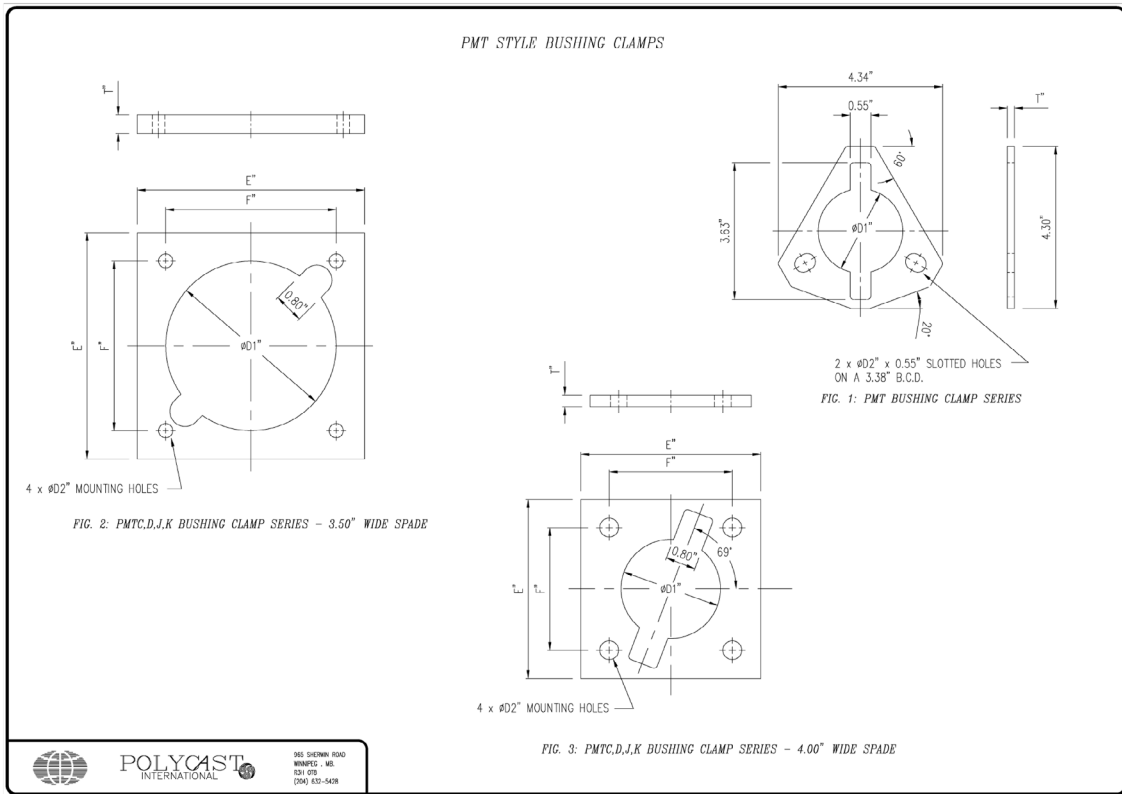


Bushing Clamps - PMT Style

Outline Details



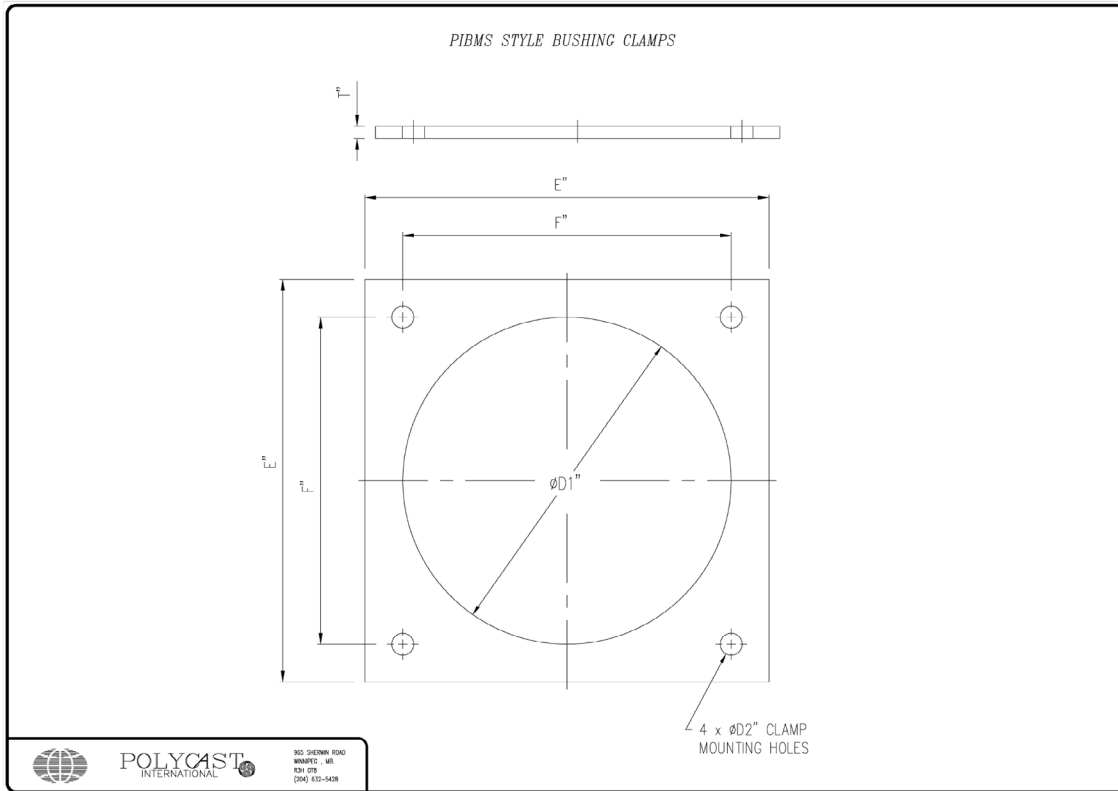
Style Numbers:

PMT Bushing Clamps

Style Number	D1	No. Mtg Holes & Studs	F Bolt Hole Pattern	Stud Bolt Circle	D2 Hole Size	E Outside Clamp Dimensions	T Thickness	Material	For Bushing Series
193-001-01	2.23"	3	See BCD	3.38"	0.44" Slotted	4.34" x 4.3" max Triangular	0.188	Mild Steel	PMTA / PMTB for 3.5" wide spade (Fig.1)
193-003-01	2.63"	4	3.25" Sq	4.59"	0.56"	4.25" Sq	0.25"	AL T6061-T6	PMTC / PMTD for 3.5" wide spade (Fig.2)
193-004-02	2.63"	4	3.25" Sq	4.59"	0.56"	4.75" Sq	0.25"	AL T6061-T6	PMTC / PMTD for 4.0" wide spade (Fig.3)
193-005-01	3.50"	4	3.75" Sq	5.31"	0.56"	5.5"	0.25"	AL T6061-T6	PMTJ for 4.0" wide spade (Fig.3)
193-006-01	4.25"	4	4.50" Sq	6.37"	0.56"	6.00"	0.50"	AL T6061-T6	PMTK for 4.0" wide spade (Fig.3)

Bushing Clamps - PIBMS Style

Outline Details

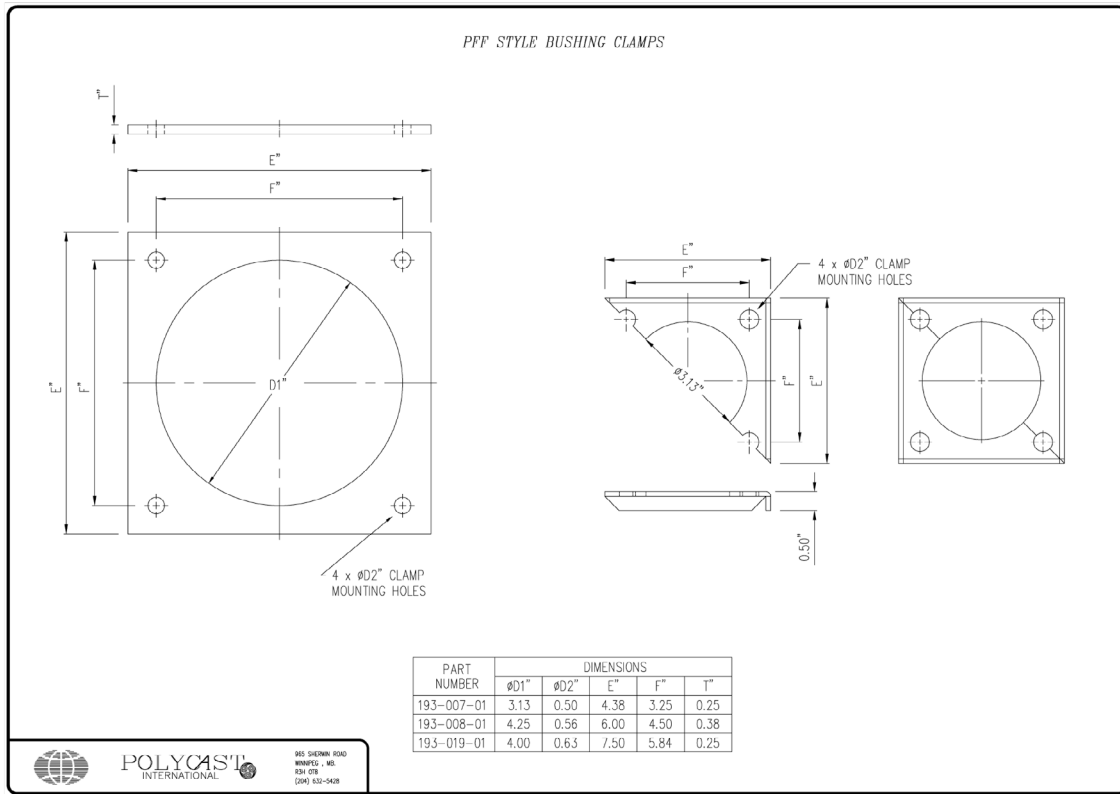


Style Numbers: PIBMS Bushing Clamps

Style Number	D1	No. Mtg Holes & Studs	F Bolt Hole Pattern	D2 Hole Size	E Outside Dimensions	T Thickness	Material	For Bushing Series
193-010-01	3.38"	4	3.50"	0.44"	5.0"	0.25"	AL. T6061-T6	PIBMS07/09/10
193-010-02	4.63"	4	4.50"	0.44"	6.0"	0.25"	AL. T6061-T6	PIBMS19
193-010-03	6.50"	4	6.50"	0.44"	8.0"	0.25"	AL. T6061-T6	PIBMS37
193-010-04	4.25"	4	4.50"	0.44"	6.0"	0.25"	AL. T6061-T6	-
193-010-07	3.38"	4	3.50"	0.44"	5.0"	0.38"	AL. T6061-T6	PIBMS07/09/10
193-010-06	4.63"	4	4.50"	0.44"	6.0"	0.38"	AL. T6061-T6	PIBMS19
193-010-05	6.50"	4	6.50"	0.44"	8.0"	0.38"	AL. T6061-T6	PIBMS37

Bushing Clamps - PFF Style

Outline Details

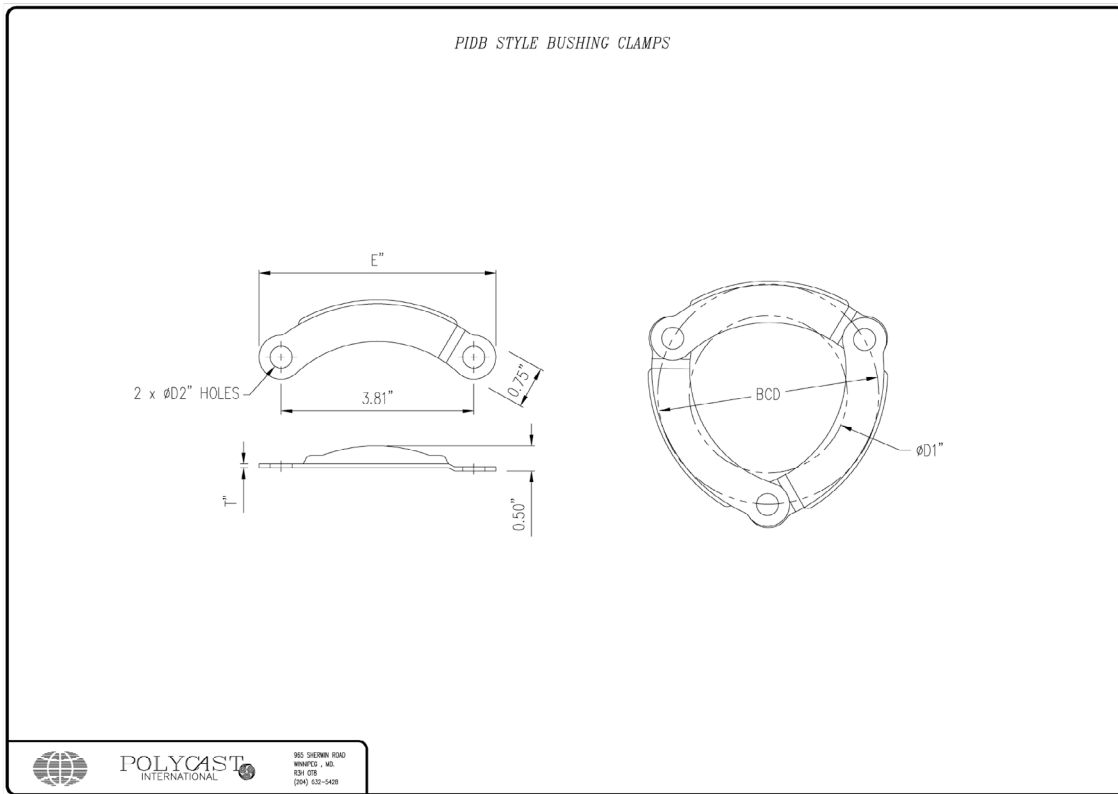


PFF Bushing Clamp Style Numbers:

Style Number	D1	No. Mtg Holes & Studs	F Bolt Hole Pattern	D2 Hole Size	E Outside Dimensions	T Thickness	Material	For Bushing Series
193-007-01	3.13"	4 2 per half	3.25"	0.50"	4.38" two halves	0.25" formed to 0.5" Two halves	304 S.S.	PFFA
193-008-01	4.25"	4	4.50	0.56	6.00	0.38	AL. T6061-T6	PFFPP
193-019-01	4.00"		5.84	0.63	7.50	0.25	304 S.S.	PFFPP

Bushing Clamps - PIDB Style

Outline Details



Style Numbers: *PIDB Bushing Clamp*

Style Number	D1	No. Mtg Holes & Studs	Bolt Circle Diameter	D2 Hole Size	E Outside Dimensions	T Thickness	Material
193-015-01	3.13"	3	4.44"	0.44"	4.70" three pieces	0.075" formed to 0.5" Three piece clamp	mild steel zinc plated