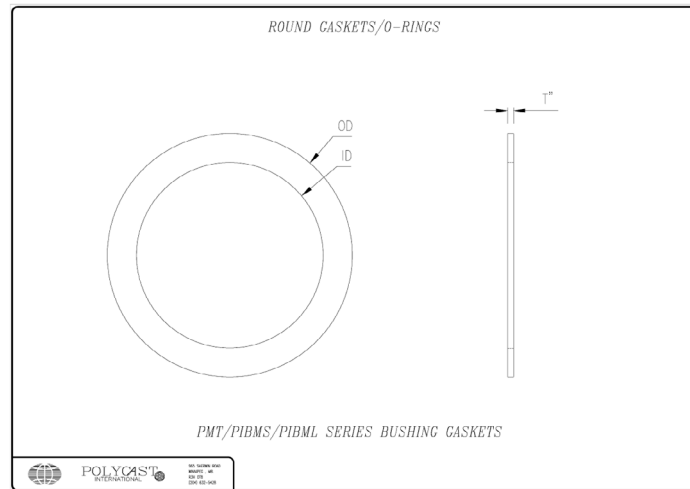


Bushing Gaskets - Round

Material - Nitrile AB-364 Duro 60 - Outline Details



Style Numbers:

<i>Gaskets for PMT Style Bushings</i>	Style Number	For Bushing Series	T	ID	OD
	194-023-06	PMTA / PMTB	0.13"	2.13"	2.75"
	194-023-86	PMTD / PMTDH POMTD / POMTDH	0.13"	2.56"	3.75"
	194-050-25	PMTJ / PMTJH POMTJ / POMTJH	0.13"	3.25"	4.50"
	194-050-30	PMTF / PMTK / PMTKX POMTF / POMTK	0.13"	3.95"	5.25"

<i>Gaskets for PIBMS / PIBML Style Bushings</i>	Style Number	For Bushing Series	T	ID	OD
	194-001-01	PIBMS01D	0.13"	1.25"	1.75"
	194-050-25	PIBMS 7, 9, 10 Stud	0.13"	3.25"	4.50"
	194-051-03	PIBMS 19 Stud	0.13"	4.50"	5.50"
	194-051-04	PIBMS 37 Stud	0.13"	6.38"	7.75"
194-051-51	PIBML 10 Lead	0.13"	1.95"	2.75"	

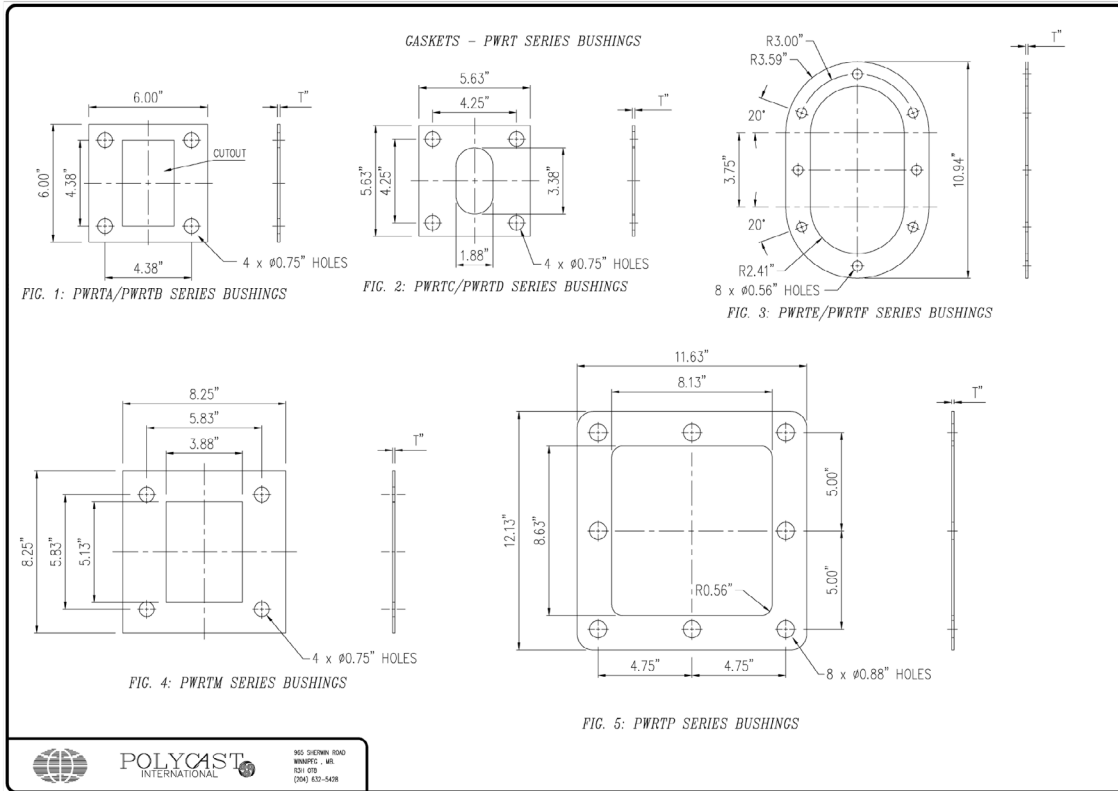
<i>Gaskets for PFF Style Bushings</i>	Style Number	For Bushing Series	T	ID	OD
	194-080-01	PFFA	0.19	3.00"	4.00"
	194-081-01	PFFP-P	0.19	3.88"	5.50"
194-082-01	PFFP-B	0.19	5.25"	7.00"	

<i>Gaskets for PIDB Style Bushings</i>	Style Number	For Bushing Series	T	ID	OD
	194-071-01	PIDB / PODB	0.13	2.50"	3.50"

<i>O-Rings for PIBML / PIBMSL Style Bushings</i>	Material	Style Number	For Bushing Series	T	ID	OD
	nitrile	194-021-02	PIBML, 19, 25, 37 Lead	0.25"	3.50"	-
nitrile	194-021-03	PIBMSL 25, 31 Lead	0.19	3.13	-	

Bushing Gaskets - PWRT

Outline Details



Style Numbers:

MATERIAL: NITRILE AB-364, DURO 60							
Gaskets for PWRT Style Bushings	Style Number	For Bushing Series	T	Mounting Holes	Cutout Dimensions	Outside Dimensions	See Figure
	194-023-53	PWRTA	0.13"	4 (0.75" dia)	2.63" x 4.38"	6.0" Sq	1
	194-023-55	PWRTB	0.13"	4 (0.75" dia)	2.25" x 4.5"	6.38" Sq	1
	194-023-56	PWRTC / PWRTD	0.13"	4 (0.75" dia)	1.88" x 3.38"	5.63" Sq	2
	194-023-59	PWRTE / PWRTF	0.19"	8 (0.56" dia)	2.41" x 8.56"	10.94" x 7.19"	3
	194-023-92	PWRTM	0.13"	4 (0.75" dia)	3.88" x 5.13"	8.25" Sq	4
	194-023-93	PWRTP	0.13"	8 (0.88" dia)	8.13" x 8.63"	11.63" x 12.13"	5

MATERIAL: CORK / NITRILE HC 60, DURO 60							
Gaskets for PWRT Style Bushings	Style Number	For Bushing Series	T	Mounting Holes	Cutout Dimensions	Outside Dimensions	See Figure
	194-024-53	PWRTA	0.25"	4 (0.75" dia)	2.63" x 4.38"	6.0" Sq	1
	194-024-55	PWRTB	0.25"	4 (0.75" dia)	2.25" x 4.5"	6.38" Sq	1
	194-024-56	PWRTC / PWRTD	0.25"	4 (0.75" dia)	1.88" x 3.38"	5.63" Sq	2
	194-024-59	PWRTE / PWRTF	0.19"	8 (0.56" dia)	2.41" x 8.56"	10.94" x 7.19"	3
	194-024-92	PWRTM	0.25"	4 (0.75" dia)	3.88" x 5.13"	8.25" Sq	4
	194-024-93	PWRTP	0.25"	8 (0.88" dia)	8.13" x 8.63"	11.63" x 12.13"	5

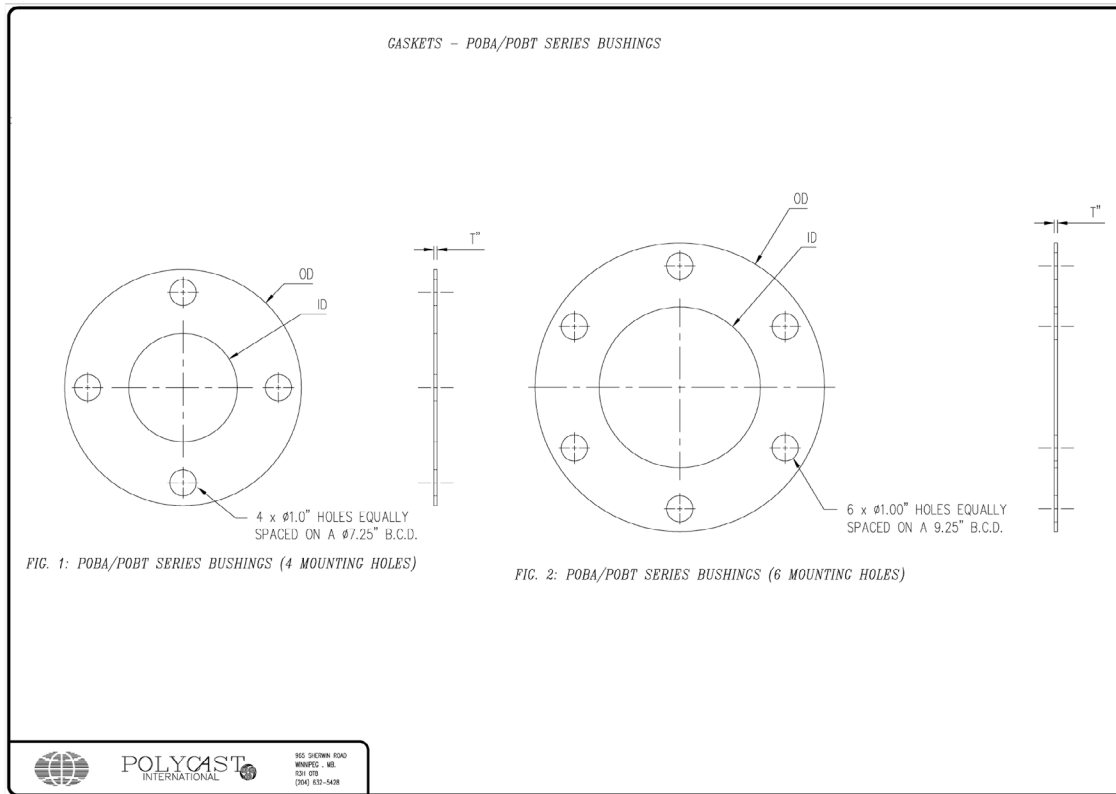


Polycast International
 965 Sherwin Road
 Winnipeg, Manitoba
 Canada R3H 0T8

T (204) 632 5428
 F (204) 697 0314
 Toll-free 1 800 665 7445
 www.polycast.ca

Bushing Gaskets - POBA / POBT

Outline Details



Style Numbers:

<i>Nitrile Gaskets for POBA / POBT Style Bushings</i>	MATERIAL: NITRILE AB-364, DURO 60						
	Style Number	For Bushing Series	T	Mounting Holes	ID	OD	See Figure
	194-025-06	POB05	0.13"	4 (1.0" dia)	3.50"	6.0" Sq	1
	194-025-01	POBA / POBT J09 Style	0.13"	4 (1.0" dia) 7.25" BCD	4.13"	9.0"	1
	194-025-03	POBA / POBT M09 Style	0.13"	6 (1.0" dia) 7.25" BCD	4.13"	9.0"	1
	194-025-04	POBA / POBT M10 Style	0.13"	6 (1.0" dia) 8.25" BCD	4.88"	10.0"	1
	194-025-05	POBA / POBT M11 Style	0.13"	6 (1.0" dia) 11.0" BCD	6.13"	11.0"	1
	194-025-07	POBTL25	0.13"	NONE	2.69"	5.25"	1

<i>Cork Gaskets for POBA / POBT Style Bushings</i>	MATERIAL: CORK / NITRILE HC 60, DURO 60						
	Style Number	For Bushing Series	T	Mounting Holes	ID	OD	See Figure
	194-026-06	POB05	0.25"	4 (0.75" dia)	3.50"	6.0" Sq	2
	194-026-05	POBA / POBT J09 Style	0.25"	4 (1.0" dia) 7.25" BCD	4.13"	9.0"	2
	194-026-03	POBA / POBT M09 Style	0.25"	6 (1.0" dia) 7.25" BCD	4.23"	9.0"	2
	194-026-04	POBA / POBT M10 Style	0.19"	6 (1.0" dia) 8.25" BCD	4.88"	10.0"	2
	194-026-01	POBA / POBT M11 Style	0.25"	6 (1.0" dia) 11.0" BCD	6.13"	11.0"	2
	194-026-07	POBTL25	0.25"	NONE	2.69"	5.25"	2