

# Current Transformers

## POCTP28 Series - Outdoor Bar Type, 25kV to 150kV BIL



POCTP28

### Application:

- outdoor metering, relaying and control
- primary current ratings to 3000A
- secondary current rating 5A
- free standing units
- rated -50C to 120C

### Construction:

- cycloaliphatic epoxy-cast pedestal bar type
- silver plated primary conductor
- grain oriented silicon steel cores
- uniformly distributed primary and secondary windings to minimize leakage reactance and maximize accuracy
- prominent polarity markings
- weatherproof secondary terminal box
- optional aluminum base plate

## Ratings and Performance Data

Voltage Class - 28kV      Frequency - 60Hz      Impulse (BIL) - 150kV      Hipot - 60kV  
 Thermal withstand (1 sec) - to 100xN      Mechanical withstand (1 sec) - 100xN  
 Continuous current rating factor (CCRF) - **Minimum:** 1.33 @ 30C, 1.0 @ 55C  
 Metering and/or relaying accuracy units available to ANSI C57.13, CSA Can3-C13 or IEC 185  
 Revenue Billing Approval available on some models and ratios.

### Single Core Options

Catalog Reference	Primary Rating	Base Style Number *			Page Number
		Single Ratio	Dual-Ratio	Multi-Ratio	
POCTP28A	To 1200A	148-012-00	148-013-00	148-015-00	4 - 148b
	To 2000A	143-022-00	148-023-00	148-025-00	
	To 3000A	148-032-00	148-033-00	148-035-00	

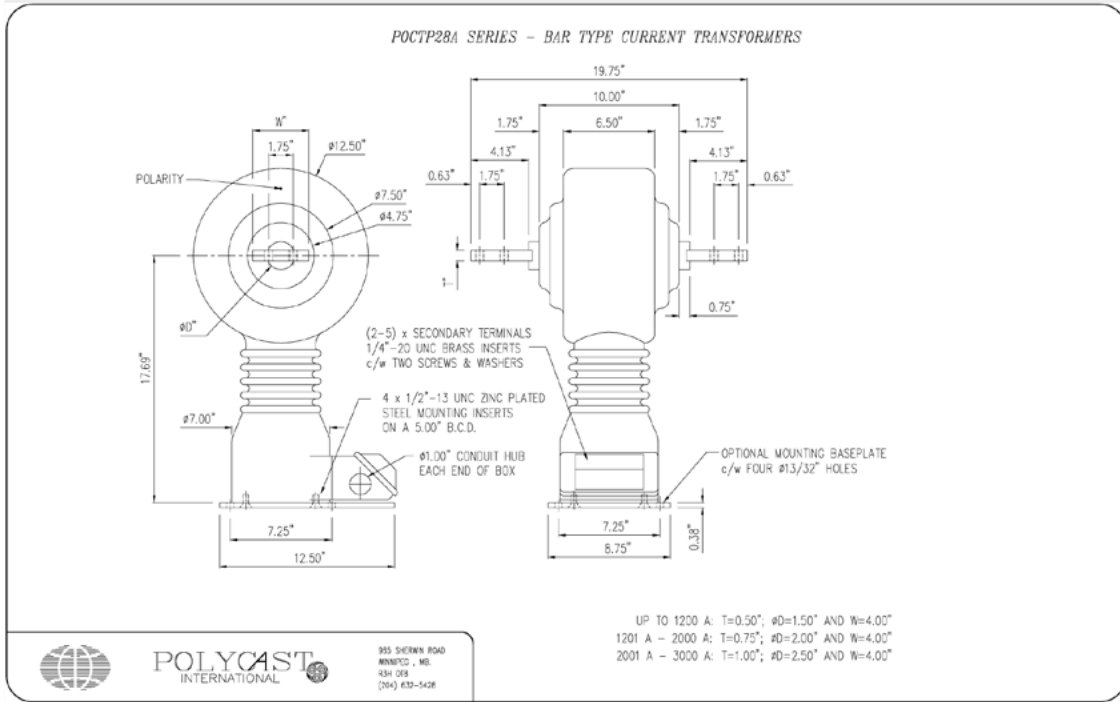
### Dual Core Options

Catalog Reference	Primary Rating	Base Style Number *			Page Number
		Single Ratio	Dual-Ratio	Multi-Ratio	
POCTP28D	To 1200A	148-114-00	148-116-00	Not available	4 - 148c
	To 2000A	143-124-00	148-126-00	Not available	
	To 3000A	148-134-00	148-136-00	Not available	

*\* Style Numbers are of the form 148-01N-00  
 where N represents the number of secondary inserts and 00 defines the ratio.*

# Current Transformers

## POCTP28A Series - Outline Details Outdoor, Bar Type, 25kV, 150kV BIL



### Ratings and Performance Data

Voltage Class - 28kV      Frequency - 60Hz      Impulse (BIL) - 150kV      Hipot - 60kV  
 Thermal withstand (1 sec) - to 100xN      Mechanical withstand (1 sec) - 100xN  
 Continuous current rating factor (CCRF) - **Minimum:** 1.33 @ 30C, 1.0 @ 55C  
 Metering and/or relaying accuracy units available to ANSI C57.13, CSA Can3-C13 or IEC 185  
 Revenue Billing Approval available on some models and ratios.

### Style Numbers

### POCTP28A - Series

### Single Core

SINGLE RATIO		DUAL RATIO		MULTI RATIO		ACCURACY			
RATIO (AMPS)	STYLE NUMBER	RATIO (AMPS)	STYLE NUMBER	RATIO (AMPS)	STYLE NUMBER	METERING CSA /ANSI 0.3 0.6		RELAYING CSA ANSI	
<b>1200A Primary Conductor</b>									
200-5	148-012-05	200/100-5	148-013-32	-	-	-	B0.1	2.5L20	C20
300-5	148-012-07	300/150-5	148-013-33	-	-	B0.1	B0.2	2.5L50	C50
400-5	148-012-08	400/200-5	148-013-34	-	-	B0.2	B0.5	2.5L100	C100
500-5	148-012-09	500/250-5	148-013-42	-	-	B0.5	B0.9	2.5L100	C100
600-5	148-012-10	600/300-5	148-013-35	600/400/100-5	148-014-70	B0.9	B1.8	2.5L200	C200
				600/400/150/100-5	148-015-74	B0.9	B1.8	2.5L200	C200
800-5	148-012-11	800/400-5	148-013-36	-	-	B0.5	B0.9	2.5L200	C200
1000-5	148-012-12	1000/500-5	148-013-49	-	-	B0.9	B1.8	2.5L200	C200
1200-5	148-012-13	1200/600-5	148-013-37	1200/800/200-5	148-014-71	0.3 Thru B1.8		2.5L400	C400
				1200/800/300/200-5	148-015-75	0.3 Thru B1.8		2.5L400	C400
<b>2000A Primary Conductors</b>									
1500-5	148-022-14	1500/750-5	148-023-60	-	-	0.3 Thru B1.8		2.5L400	C400
1600-5	148-022-15	1600/800-5	148-023-59	-	-	0.3 Thru B1.8		2.5L400	C400
2000-5	148-022-16	2000/1000-5	148-023-38	2000/1500/1200/400-5	148-025-72	0.3 Thru B1.8		2.5L400	C400
<b>3000A Primary Conductors</b>									
2400-5	148-032-17	2400/1200-5	148-033-54	-	-	0.3 Thru B1.8		2.5L400	C400
3000-5	148-032-18	3000/1500-5	148-033-39	3000/2500/2200/1000-5	148-035-73	0.3 Thru B1.8		2.5L400	C400



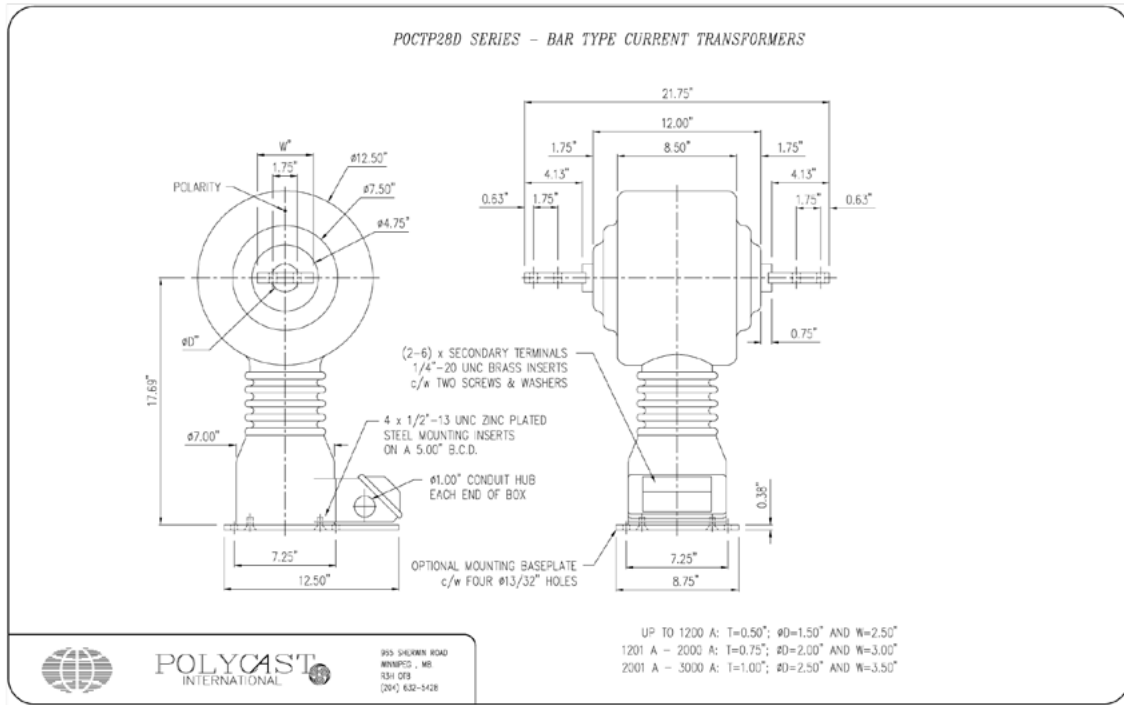
**Polycast International**  
 965 Sherwin Road  
 Winnipeg, Manitoba  
 Canada R3H 0T8

T (204) 632 5428  
 F (204) 697 0314  
 Toll-free 1 800 665 7445  
[www.polycast.ca](http://www.polycast.ca)

# Current Transformers

## POCTP28D Series - Outline Details

Outdoor, Bar Type, 28kV, 150kV BIL



### Ratings and Performance Data

Voltage Class - 28kV      Frequency - 60Hz      Impulse (BIL) - 150kV      Hipot - 60kV  
 Thermal withstand (1 sec) - to 100xN      Mechanical withstand (1 sec) - 100xN  
 Continuous current rating factor (CCRF) - **Minimum:** 1.33 @ 30C, 1.0 @ 55C  
 Metering and/or relaying accuracy units available to ANSI C57.13, CSA Can3-C13 or IEC 185  
 Revenue Billing Approval available on some models and ratios.

#### Style Numbers

#### POCTP28D - Series

#### Dual Core

SINGLE RATIO		DUAL RATIO		MULTI RATIO		ACCURACY			
RATIO (AMPS)	STYLE NUMBER	RATIO (AMPS)	STYLE NUMBER	RATIO (AMPS)	STYLE NUMBER	METERING CSA /ANSI 0.3 0.6		RELAYING CSA ANSI	
<b>1200A Primary Conductor</b>									
200-5	148-112-05	200/100-5	148-113-32	<b>not available</b>		-	B0.1	2.5L20	C20
300-5	148-112-07	300/150-5	148-113-33			B0.1	B0.2	2.5L50	C50
400-5	148-112-08	400/200-5	148-113-34			B0.2	B0.5	2.5L50	C50
500-5	148-112-09	500/250-5	148-113-42			B0.5	B0.9	2.5L50	C50
600-5	148-112-10	600/300-5	148-113-35			B0.9	B1.8	2.5L100	C100
						B0.9	B1.8	2.5L100	C100
800-5	148-112-11	800/400-5	148-113-36			B0.5	B0.9	2.5L100	C100
1000-5	148-112-12	1000/500-5	148-113-49			B0.9	B1.8	2.5L100	C100
1200-5	148-112-13	1200/600-5	148-113-37			0.3 Thru B1.8		2.5L200	C200
<b>2000A Primary Conductors</b>									
1500-5	148-122-14	1500/750-5	148-123-60	<b>not available</b>		0.3 Thru B1.8		2.5L200	C200
1600-5	148-122-15	1600/800-5	148-123-59			0.3 Thru B1.8		2.5L200	C200
2000-5	148-122-16	2000/1000-5	148-123-38			0.3 Thru B1.8		2.5L400	C400
<b>3000A Primary Conductors</b>									
2400-5	148-132-17	2400/1200-5	148-133-54	<b>not available</b>		0.3 Thru B1.8		2.5L400	C400
3000-5	148-132-18	3000/1500-5	148-133-39			0.3 Thru B1.8		2.5L400	C400

*Stated accuracies apply to each core. Other options available.*



Polycast International  
 965 Sherwin Road  
 Winnipeg, Manitoba  
 Canada R3H 0T8

T (204) 632 5428  
 F (204) 697 0314  
 Toll-free 1 800 665 7445  
 www.polycast.ca