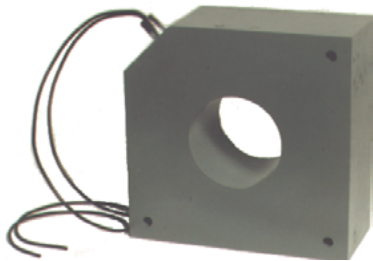


Current Transformers

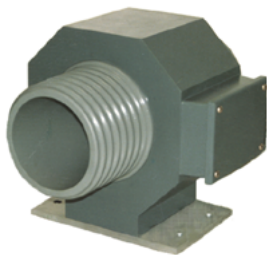
POCW / POCWB Series - Outdoor Window Type, 600V to 170kV BIL



POCW47

Application:

- outdoor applications from 600V through 38kV
- rated -50C to 120C
- suitable for UV exposure in moderate to high pollution areas
- POCW for external mounting over bushings or insulated cable
- POCWB for use with bare bus or cable
- as replacement parts for existing components
- where no provision has been made for CT installation.
- for upgrading current ratings or ratios of existing components



POCWB18

Shielded Window Type

Construction:

- cycloaliphatic epoxy castings
- grain oriented silicon steel cores with copper secondary windings
- secondary windings uniformly distributed for all taps
- weatherproof secondary terminal box (with conduit knockout)
- **POCW** units are 600V window type (pedestal or slip over)
- **POCWB** units are assemblies consisting of :
 - a fully shielded outdoor POWB window bushing, and
 - a cast outdoor POCW CT mounted securely around it.
- aluminum base plates available for some models

Ratings and Performance Data

Continuous current rating factor (CCRF) - **Minimum:** 1.33 @ 30C, 1.0 @ 55C
 Metering/relaying accuracy units available to ANSI C57.13, CSA Can3-C13 or IEC 185
 Revenue Billing Approval available on some models and ratios.
 All units are partial discharge free at rated voltage.

Catalog Reference	Window Size	BIL	Basic Style Numbers				Page Number
			Single Ratio	Dual Ratio	Multi Ratio CSA	Multi Ratio CSA/ANSI	
POCW47	5.0"	10kV	130-902-00	130-903-00	130-904-00	130-905-00	4-149b
POCW05	3.19"	60kV	130-212-00	130-213-00	130-214-00	130-215-00	4-149c
POCW08	6.50"	75kV	130-602-00	130-603-00	130-604-00	130-605-00	4-149d
POCWB18	4.5"/6.0"	110kV	149-002-00	149-003-00	149-004-00	149-005-00	4-149e
POCWB28	4.5"/6.0"	150kV	149-102-00	149-103-00	149-104-00	149-105-00	* on application
POCWB35	4.5"	170kV	149-202-00	149-203-00	149-204-00	149-205-00	* on application
POCWB38	4.5"	200kV	149-302-00	149-303-00	149-304-00	149-305-00	* on application

** Polycast will custom manufacture POCW and POCWB Cts to meet your exact requirements.*



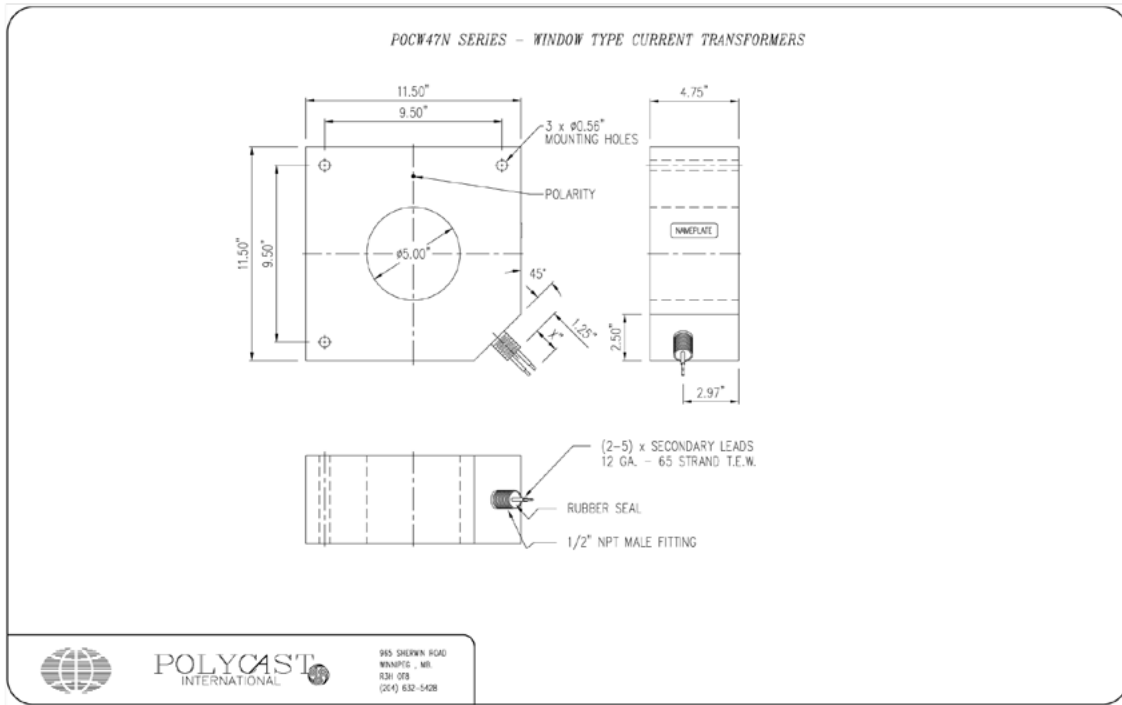
Polycast International
 965 Sherwin Road
 Winnipeg, Manitoba
 Canada R3H 0T8

T (204) 632 5428
 F (204) 697 0314
 Toll-free 1 800 665 7445
 www.polycast.ca

Current Transformers

POCW47N Series - Outline Details

Outdoor, Window Type



Ratings and Performance Data

Voltage Class - 600V Frequency - 60Hz Impulse (BIL) - 10kV Hipot - 4kV
 Thermal withstand (1 sec) - 100xN Mechanical withstand (1 sec) - 250xN
 Continuous current rating factor (CCRF) - **Minimum:** 1.33 @ 30C, 1.0 @ 55C
 Metering and/or relaying accuracy units available to ANSI C57.13, CSA Can3-C13 or IEC 185
 Revenue Billing Approval available on some models and ratios.

Style Numbers

POCW47N-

Outdoor

SINGLE RATIO		DUAL RATIO		MULTI RATIO		ACCURACY	
RATIO (AMPS)	STYLE NUMBER	RATIO (AMPS)	STYLE NUMBER	RATIO (AMPS)	STYLE NUMBER	METERING CSA /ANSI 0.3 0.6	RELAYING CSA ANSI
100-5	130-902N-03	100/50-5	130-902N-31	-	-	-	10L20 C20
200-5	130-902N-05	200/100-5	130-902N-32	-	-	- B0.1	10L40 C40
300-5	130-902N-07	300/150-5	130-902N-33	-	-	B0.1 B0.2	10L50 C50
400-5	130-902N-08	400/200-5	130-902N-34	-	-	B0.2 B0.5	2.5L50 C50
500-5	130-902N-09	500/250-5	130-902N-42	-	-	B0.5 B0.9	10L100 C100
600-5	130-902N-10	600/300-5	130-902N-35	600/400/100-5	130-902N-70	B0.9 B1.8	2.5L100 C100
				600/400/150/100-5	130-902N-74	B0.9 B1.8	2.5L100 C100
800-5	130-902N-11	800/400-5	130-902N-36	-	-	B0.9 B1.8	2.5L100 C100
1000-5	130-902N-12	1000/500-5	130-902N-49	-	-	0.3 Thru B1.8	2.5L200 C200
1200-5	130-902N-13	1200/600-5	130-902N-37	1200/800/200-5	130-902N-71	0.3 Thru B1.8	2.5L200 C200
				1200/800/300/200-5	130-902N-75	0.3 Thru B1.8	2.5L200 C200
1500-5	130-902N-14	1500/750-5	130-902N-60	-	-	0.3 Thru B1.8	2.5L200 C200
1600-5	130-902N-15	1600/800-5	130-902N-59	-	-	0.3 Thru B1.8	2.5L200 C200
2000-5	130-902N-16	2000/1000-5	130-902N-38	2000/1500/1200/400-5	130-902N-72	0.3 Thru B1.8	2.5L400 C400
3000-5	130-902N-18	3000/1500-5	130-902N-39	3000/2500/2200/1000-5	130-902N-73	0.3 Thru B1.8	2.5L400 C400

Other Ratios and Accuracies available on request.



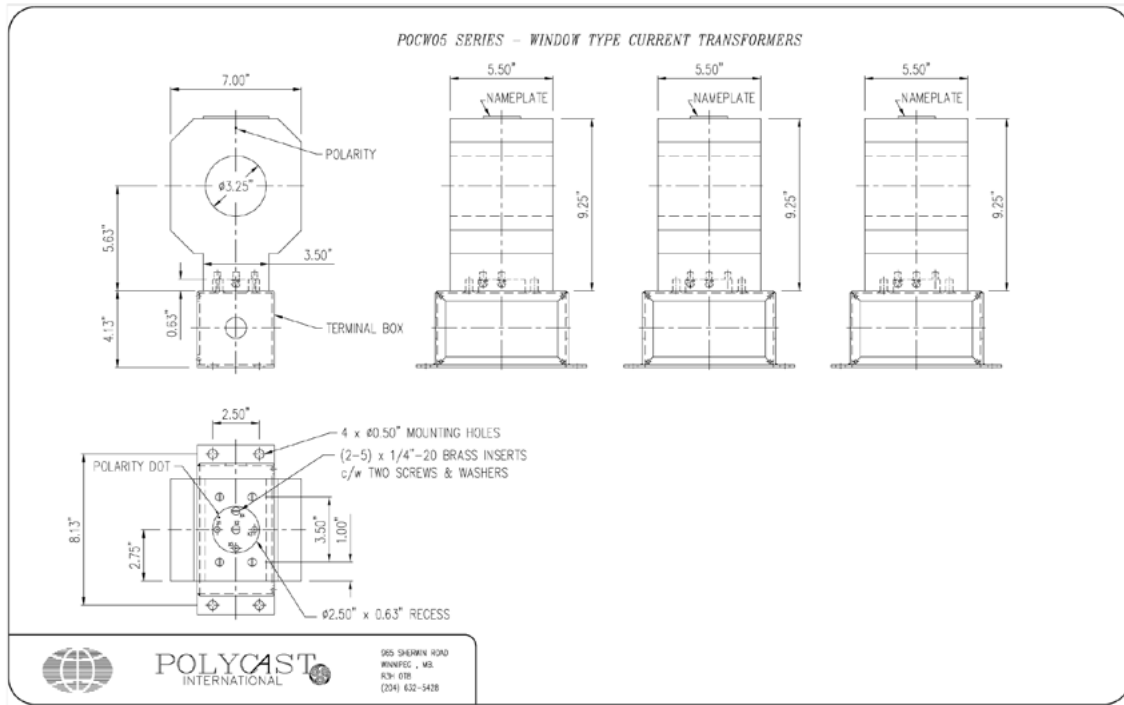
Polycast International
 965 Sherwin Road
 Winnipeg, Manitoba
 Canada R3H 0T8

T (204) 632 5428
 F (204) 697 0314
 Toll-free 1 800 665 7445
 www.polycast.ca

Current Transformers

POCW05 Series - Outline Details

Outdoor, Window Type



Ratings and Performance Data

Voltage Class - 5.0kV Frequency - 60Hz Impulse (BIL) - 60kV Hipot - 19kV
 Thermal withstand (1 sec) - 100xN Mechanical withstand (1 sec) - 250xN
 Continuous current rating factor (CCRF) - **Minimum:** 1.33 @ 30C, 1.0 @ 55C
 Metering and/or relaying accuracy units available to ANSI C57.13, CSA Can3-C13 or IEC 185
 Revenue Billing Approval available on some models and ratios.

Style Numbers

POCW05- Series

Outdoor

SINGLE RATIO		DUAL RATIO		MULTI RATIO		ACCURACY	
RATIO (AMPS)	STYLE NUMBER	RATIO (AMPS)	STYLE NUMBER	RATIO (AMPS)	STYLE NUMBER	METERING CSA/ANSI 0.3 0.6	RELAYING CSA ANSI
100-5	130-212-03	100/50-5	130-213-31	-	-	- -	10L10 C10
200-5	130-212-05	200/100-5	130-213-32	-	-	- -	10L20 C20
300-5	130-212-07	300/150-5	130-213-33	-	-	- B0.1	10L20 C20
400-5	130-212-08	400/200-5	130-213-34	-	-	B0.1 B0.2	10L30 C30
500-5	130-212-09	500/250-5	130-213-42	-	-	B0.2 B0.5	10L40 C40
600-5	130-212-10	600/300-5	130-213-35	600/400/100-5	130-214-70	B0.2 B0.5	10L50 C50
800-5	130-212-11	800/400-5	130-213-36	-	-	B0.5 B0.9	2.5L50 C50
1000-5	130-212-12	1000/500-5	130-213-49	-	-	B0.9 B1.8	2.5L75 C75
1200-5	130-212-13	1200/600-5	130-213-37	1200/800/200-5	130-214-71	0.3 Thru B1.8	2.5L100 C100
1500-5	130-212-14	1500/750-5	130-213-60	-	-	0.3 Thru B1.8	2.5L100 C100
1600-5	130-212-15	1600/800-5	130-213-59	-	-	0.3 Thru B1.8	2.5L100 C100
2000-5	130-212-16	2000/1000-5	130-213-38	-	-	0.3 Thru B1.8	2.5L100 C100
3000-5	130-212-18	3000/1500-5	130-213-39	-	-	0.3 Thru B1.8	2.5L200 C200
4000-5	130-212-20	4000/2000-5	130-213-40	-	-	0.3 Thru B1.8	2.5L200 C200



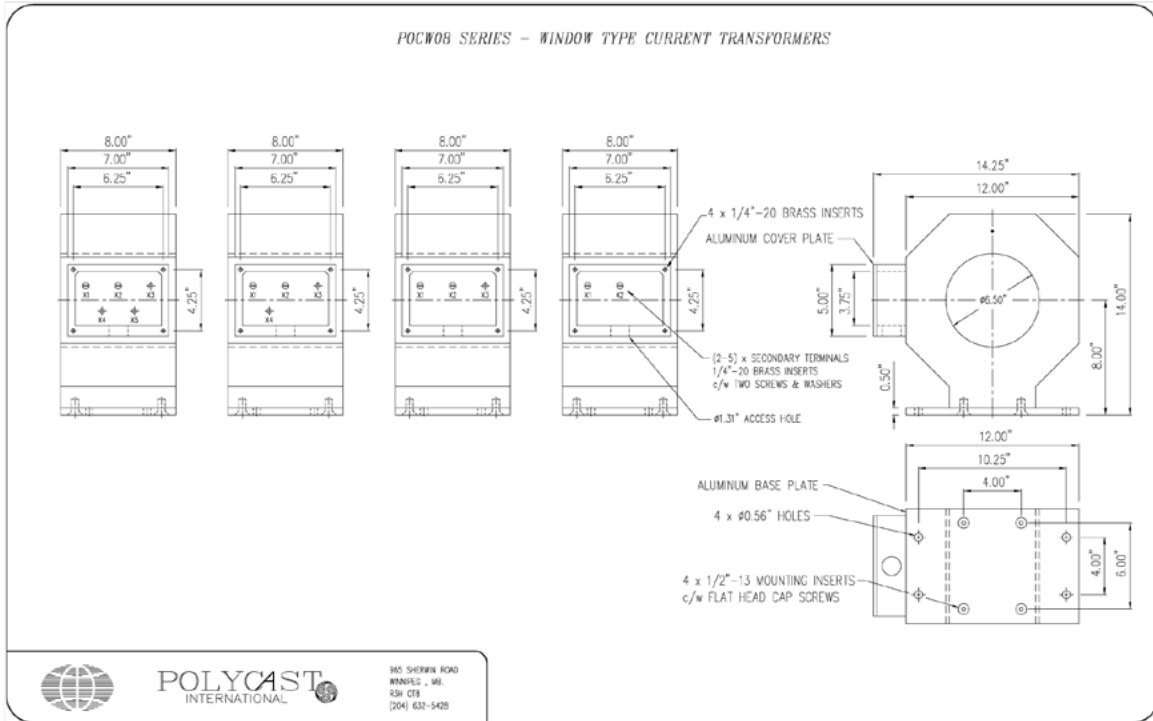
Polycast International
 965 Sherwin Road
 Winnipeg, Manitoba
 Canada R3H 0T8

T (204) 632 5428
 F (204) 697 0314
 Toll-free 1 800 665 7445
 www.polycast.ca

Current Transformers

POCW08 Series - Outline Details

Outdoor, Window Type



Ratings and Performance Data

Voltage Class - 10.0kV Frequency - 60Hz Impulse (BIL) - 75kV Hipot - 26kV
 Thermal withstand (1 sec) - 100xN Mechanical withstand (1 sec) - 250xN
 Continuous current rating factor (CCRF) - **Minimum:** 1.33 @ 30C, 1.0 @ 55C
 Metering and/or relaying accuracy units available to ANSI C57.13, CSA Can3-C13 or IEC 185
 Revenue Billing Approval available on some models and ratios.

Style Numbers

POCW08- Series

Outdoor

SINGLE RATIO		DUAL RATIO		MULTI RATIO		ACCURACY			
RATIO (AMPS)	STYLE NUMBER	RATIO (AMPS)	STYLE NUMBER	RATIO (AMPS)	STYLE NUMBER	METERING CSA /ANSI		RELAYING CSA ANSI	
						0.3	0.6		
100-5	130-602-03	100/50-5	130-603-31	-	-	-	-	10L20	C20
200-5	130-602-05	200/100-5	130-603-32	-	-	-	B0.1	10L40	C40
300-5	130-602-07	300/150-5	130-603-33	-	-	B0.1	B0.2	2.5L50	C50
400-5	130-602-08	400/200-5	130-603-34	-	-	B0.2	B0.5	2.5L50	C50
500-5	130-602-09	500/250-5	130-603-42	-	-	B0.5	B0.9	10L100	C100
600-5	130-602-10	600/300-5	130-603-35	600/400/100-5	130-604-70	B0.9	B1.8	2.5L100	C100
				600/400/150/100-5	130-605-74	B0.9	B1.8	2.5L100	C100
800-5	130-602-11	800/400-5	130-603-36	-	-	B0.9	B1.8	2.5L100	C100
1000-5	130-602-12	1000/500-5	130-603-49	-	-	0.3 Thru B1.8		2.5L100	C100
1200-5	130-602-13	1200/600-5	130-603-37	1200/800/200-5	130-604-71	0.3 Thru B1.8		2.5L200	C200
				1200/800/300/200-5	130-605-75	0.3 Thru B1.8		2.5L200	C200
1500-5	130-602-14	1500/750-5	130-603-60	-	-	0.3 Thru B1.8		2.5L200	C200
1600-5	130-602-15	1600/800-5	130-603-59	-	-	0.3 Thru B1.8		2.5L200	C200
2000-5	130-602-16	2000/1000-5	130-603-38	-	-	0.3 Thru B1.8		2.5L200	C200
3000-5	130-602-18	3000/1500-5	130-603-39	3000/2500/2200/1000-5	130-605-73	0.3 Thru B1.8		2.5L400	C400
4000-5	130-602-20	4000/2000-5	130-603-40	4000/3000/2000/500-5	130-605-76	0.3 Thru B1.8		2.5L400	C400



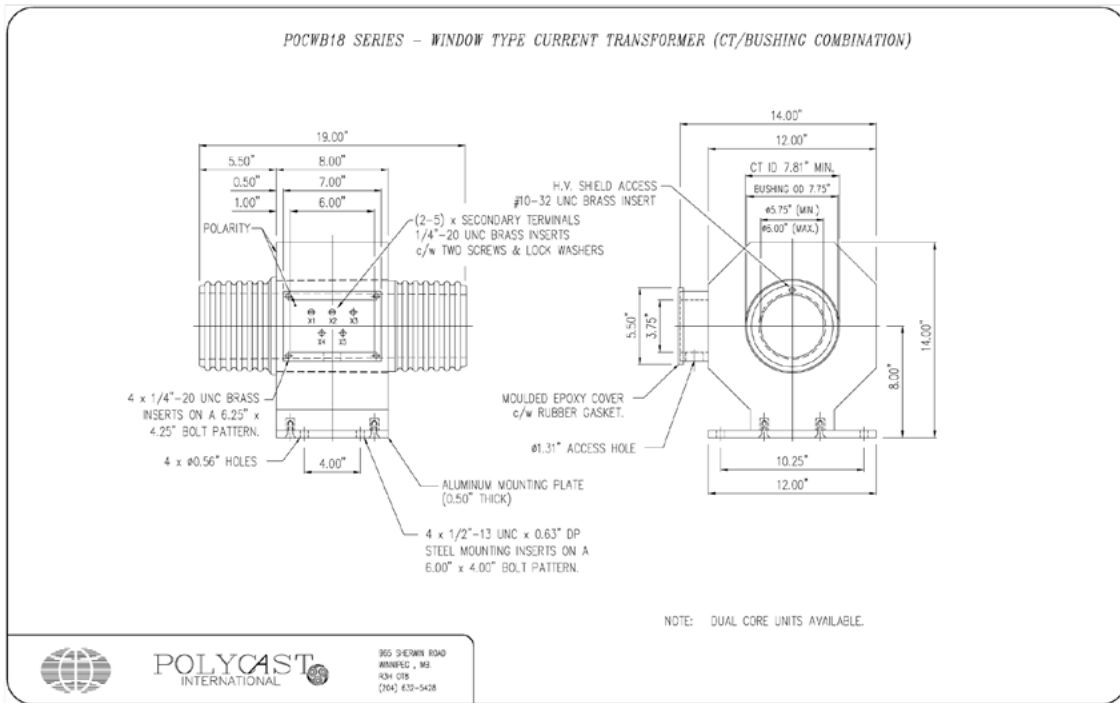
Polycast International
 965 Sherwin Road
 Winnipeg, Manitoba
 Canada R3H 0T8

T (204) 632 5428
 F (204) 697 0314
 Toll-free 1 800 665 7445
 www.polycast.ca

Current Transformers

POCWB18 Series - Outline Details

Outdoor, Shielded Window Type



Ratings and Performance Data

Voltage Class - 18.0kV Frequency - 60Hz Impulse (BIL) - 110kV Hipot - 50kV
 Thermal withstand (1 sec) - 100xN Mechanical withstand (1 sec) - 250xN
 Continuous current rating factor (CCRF) - **Minimum:** 1.33 @ 30C, 1.0 @ 55C
 Metering and/or relaying accuracy units available to ANSI C57.13, CSA Can3-C13 or IEC 185
 Revenue Billing Approval available on some models and ratios.

Style Numbers

POCWB18- Series

Outdoor

SINGLE RATIO		DUAL RATIO		MULTI RATIO		ACCURACY	
RATIO (AMPS)	STYLE NUMBER	RATIO (AMPS)	STYLE NUMBER	RATIO (AMPS)	STYLE NUMBER	METERING CSA/ANSI 0.3 0.6	RELAYING CSA ANSI
100-5	149-002-03	100/50-5	149-003-31	-	-	- -	10L20 C20
200-5	149-002-05	200/100-5	149-003-32	-	-	- B0.1	10L40 C40
300-5	149-002-07	300/150-5	149-003-33	-	-	B0.1 B0.2	2.5L50 C50
400-5	149-002-08	400/200-5	149-003-34	-	-	B0.2 B0.5	2.5L50 C50
500-5	149-002-09	500/250-5	149-003-42	-	-	B0.5 B0.9	10L100 C100
600-5	149-002-10	600/300-5	149-003-35	600/400/100-5	149-004-70	B0.9 B1.8	2.5L100 C100
				600/400/150/100-5	149-005-74	B0.9 B1.8	2.5L100 C100
800-5	149-002-11	800/400-5	149-003-36	-	-	B0.9 B1.8	2.5L100 C100
1000-5	149-002-12	1000/500-5	149-003-49	-	-	0.3 Thru B1.8	2.5L100 C100
1200-5	149-002-13	1200/600-5	149-003-37	1200/800/200-5	149-004-71	0.3 Thru B1.8	2.5L200 C200
				1200/800/300/200-5	149-005-75	0.3 Thru B1.8	2.5L200 C200
1500-5	149-002-14	1500/750-5	149-003-60	-	-	0.3 Thru B1.8	2.5L200 C200
1600-5	149-002-15	1600/800-5	149-003-59	-	-	0.3 Thru B1.8	2.5L200 C200
2000-5	149-002-16	2000/1000-5	149-003-38	-	-	0.3 Thru B1.8	2.5L200 C200
3000-5	149-002-18	3000/1500-5	149-003-39	3000/2500/2200/1000-5	149-005-73	0.3 Thru B1.8	2.5L400 C400
4000-5	149-002-20	4000/2000-5	149-003-40	4000/3000/2000/500-5	149-005-76	0.3 Thru B1.8	2.5L400 C400



Polycast International
 965 Sherwin Road
 Winnipeg, Manitoba
 Canada R3H 0T8

T (204) 632 5428
 F (204) 697 0314
 Toll-free 1 800 665 7445
 www.polycast.ca