

# HV Switchgear Bushings

PIBMB & PCYBMB Series - Indoor to 2000A  
 Square Flange, 4 Hole Mounting, 95kV BIL



PIBMB

### Application:

- indoor applications (not exposed to UV radiation) in light to heavily polluted environments
- for high condensation (or heavily polluted) environments our cycloaliphatic version of these bushings is recommended
- rated -5°C to 120°C

### Construction:

- epoxy insulating body
- four brass mounting inserts
- silver plated electrolytic copper conductors
- capacitance graded condenser type bushings with internal ground shield for control of electric field distribution
- designed and tested to ANSI and CSA Switchgear Assemblies Standards, with IEC 137 as technical guide

### Options:

- PCYBMB cycloaliphatic grey epoxy for use in high condensation or heavily polluted environments
- various below flange lengths
- various copper terminations and conductor sizes

## Standard Bushings

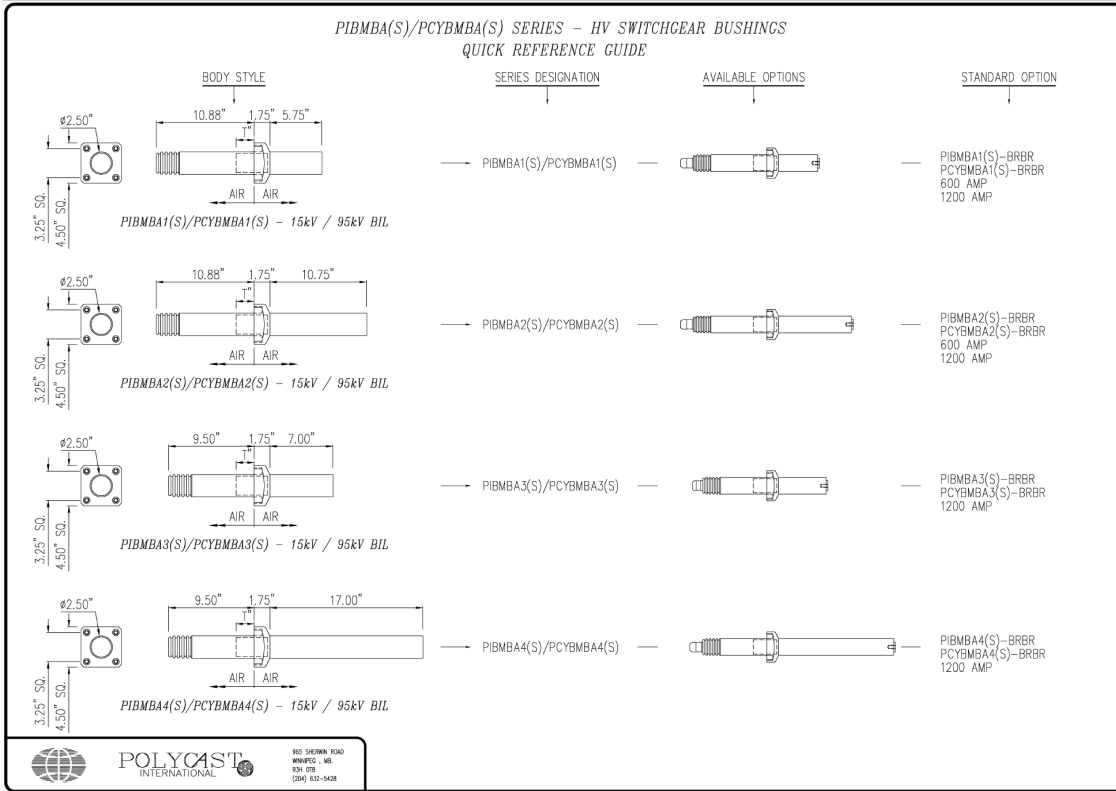
Catalog Reference Red Epoxy	Catalog Reference Grey Cycloaliphatic Epoxy	Current Ratings	Body Detail	See Page No.
PIBMBA skirted	PCYBMBA skirted	600 A	Flange 4.50" Sq. Below Flange 2.50" Dia. Mounting Pattern 3.25" Sq.	170-3b
		1200 A		
PIBMBA(S)	PCYBMBA(S)	600 A		
		1200 A		
PIBMBX	PCYBMBX	1200 A	Flange 4.50" Sq. Below Flange 2.50" Dia. Mounting Pattern 3.25" Sq.	170-3c
		2000 A		

Outline details of these items including other options are on following pages.

# HV Switchgear Bushings

## PIBMBA(S) Series - Outline Details

Indoor, 95kV BIL 600A & 1200A



### Style Numbers: PIBMBA(S) Series Four Hole Mounting - Square Flange

PIBMBA(S) Red Epoxy					
Silver Plated Copper		Finger Contact /Tapped Hole			
Current Rating	Stud Diameter	Length = 20.63"	Length = 25.63"	Length = 20.25"	Length = 30.25"
600A	1.0"	170-160-31	170-160-32	-	-
1200A	1.5"	170-160-33	170-160-34	170-145-31	170-144-31

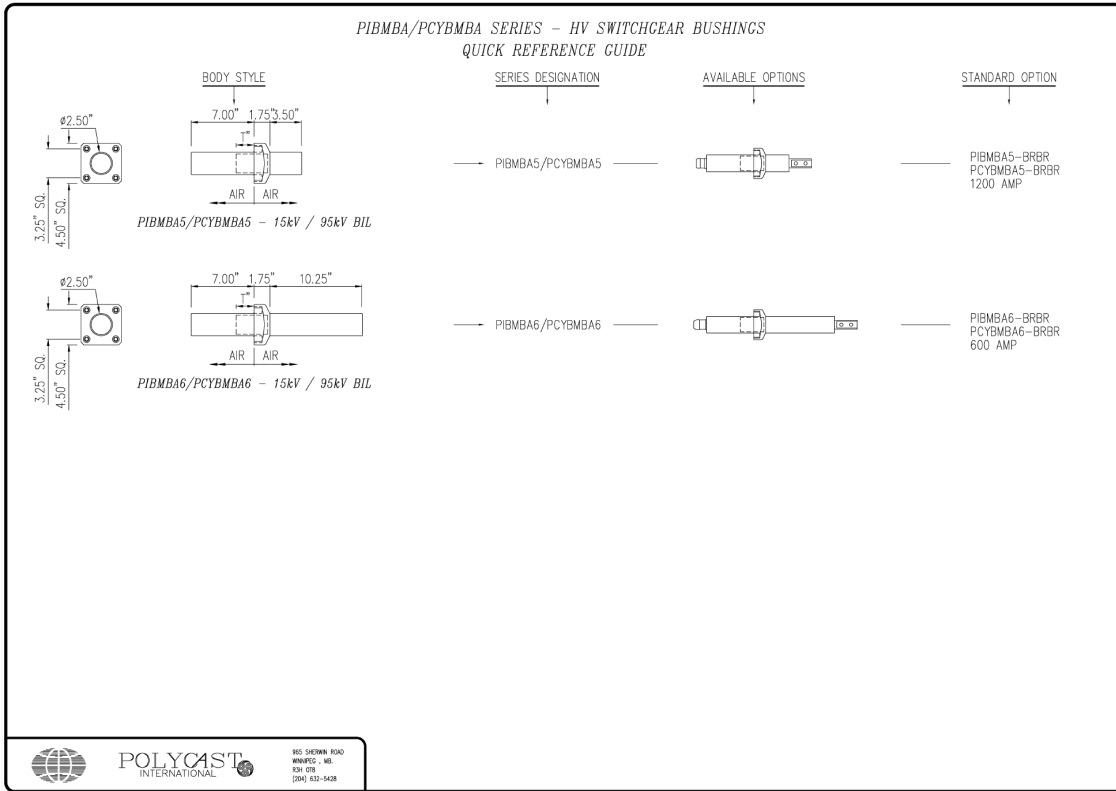
#### Notes:

- **Cycloaliphatic Bushings Available** – bushings manufactured from cycloaliphatic epoxy (PCYBMB Series) are suitable for environments exposed to ultra violet light, or increased levels of condensation or pollution. Contact Polycast for further information.
- Above are a few examples of variations of the PIBMBA(S) series available. Any length or termination variation of the basic design are available upon request.

# HV Switchgear Bushings

## PIBMBA Series - Outline Details

Indoor, 95kV BIL 600A & 1200A



### Style Numbers: PIBMBA Series Four Hole Mounting - Square Flange

PIBMBA Red Epoxy			
Silver Plated Copper		Finger Contact / 2 hole Milled Flat	
Current Rating	Stud Diameter	Length = 17.63"	Length = 25.88"
600A	1.0"	Available upon request	Available upon request
1200A	1.5"	170-146-31	170-147-31

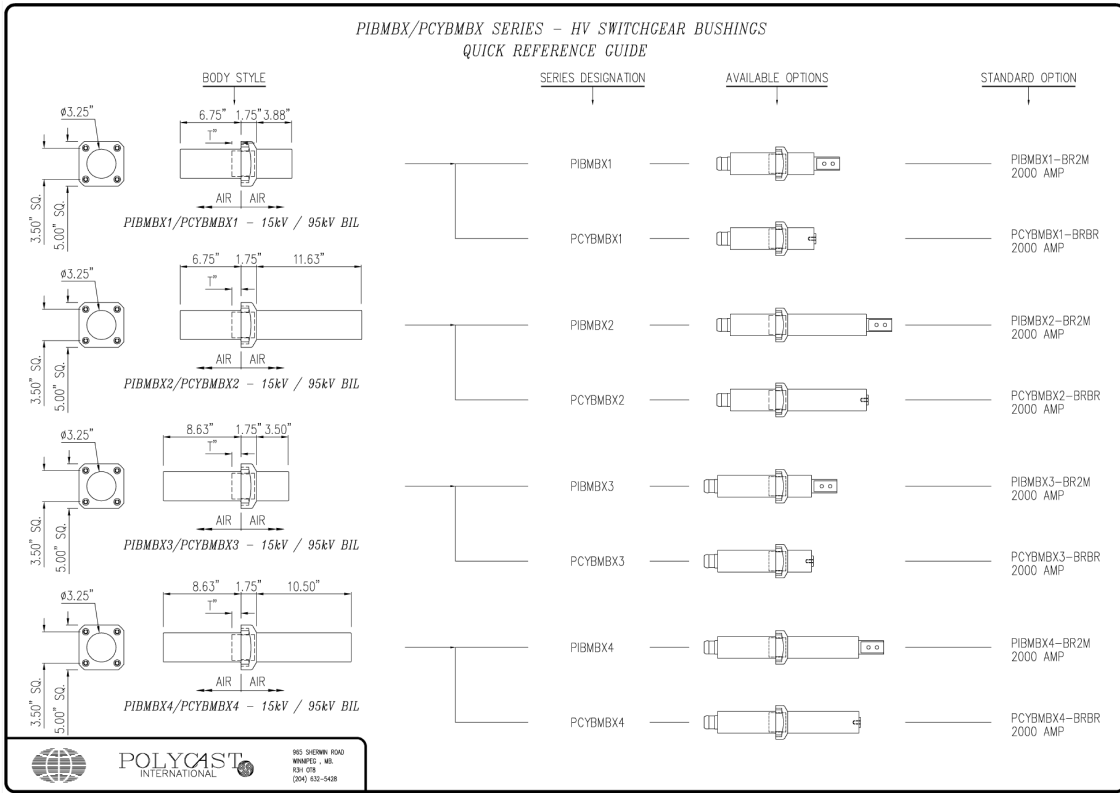
**Notes:**

- **Cycloaliphatic Bushings Available** – bushings manufactured from cycloaliphatic epoxy (PCYBMB Series) are suitable for environments exposed to ultra violet light, or increased levels of condensation or pollution. Contact Polycast for further information.
- Above are a few examples of variations of the PIBMBA series available. Any length or termination variation of the basic design are available upon request.

# HV Switchgear Bushings

## PIBMBX Series - Outline Details

Indoor, 95kV BIL 2000A



### Style Numbers: PIBMBX & PCYBMBX Series Four Hole Mounting - Square Flange

PIBMBX Red Epoxy					
Silver Plated Copper		Finger Contact / 2 hole Milled Flat			
Current Rating	Stud Diameter	Length = 17.75"	Length = 25.75"	Length = 20.25"	Length = 28.5"
2000A	2.0"	170-157-31	170-158-31	170-152-31	170-151-31

**Notes:**

- **Cycloaliphatic Bushings Available** – bushings manufactured from cycloaliphatic epoxy (PCYBMB Series) are suitable for environments exposed to ultra violet light, or increased levels of condensation or pollution. Contact Polycast for further information.
- Above are a few examples of variations of the PIBMBX series available. Any length or termination variation of the basic design are available upon request.