

HV Apparatus Bushings

POB05 Series - Outdoor
45kV to 75kV BIL



POB05CK-2M4H
for oil/air to air application

Application:

- liquid filled transformers, sidewall and cover mounting
- roof bushings on switchgear and power apparatus
- current ratings up to 5000A
- external clamping via 'weld on' studs
- outdoor applications (exposed to UV radiation)
- suitable for use in ambient temperatures from -50C to 130C

Construction:

- EC-O cycloaliphatic grey epoxy insulating body
- electrolytic copper rod conductors
- threaded studs, milled contacts or NEMA spade options
- positive oil seal (safe to 130C continuous)
- counterbored mounting holes for weld clearance
- ANSI, CSA and IEC Standards

Options:

- various oil side lengths for air to air requirements
- tin-plated conductors standard, silver optional
- special conductors and terminals available
 - 1, 2, or 3 holes milled contacts
 - 4, 6, ... 12 holes NEMA spades
 - NC and NF threaded conductors
 - Rotated spades (external spade at 90 deg to oil side spade)
- cast-in brass inserts for internal bolting

Four Hole Mounting - Bushing Options

Optional Body Length / Conductor Sizes:

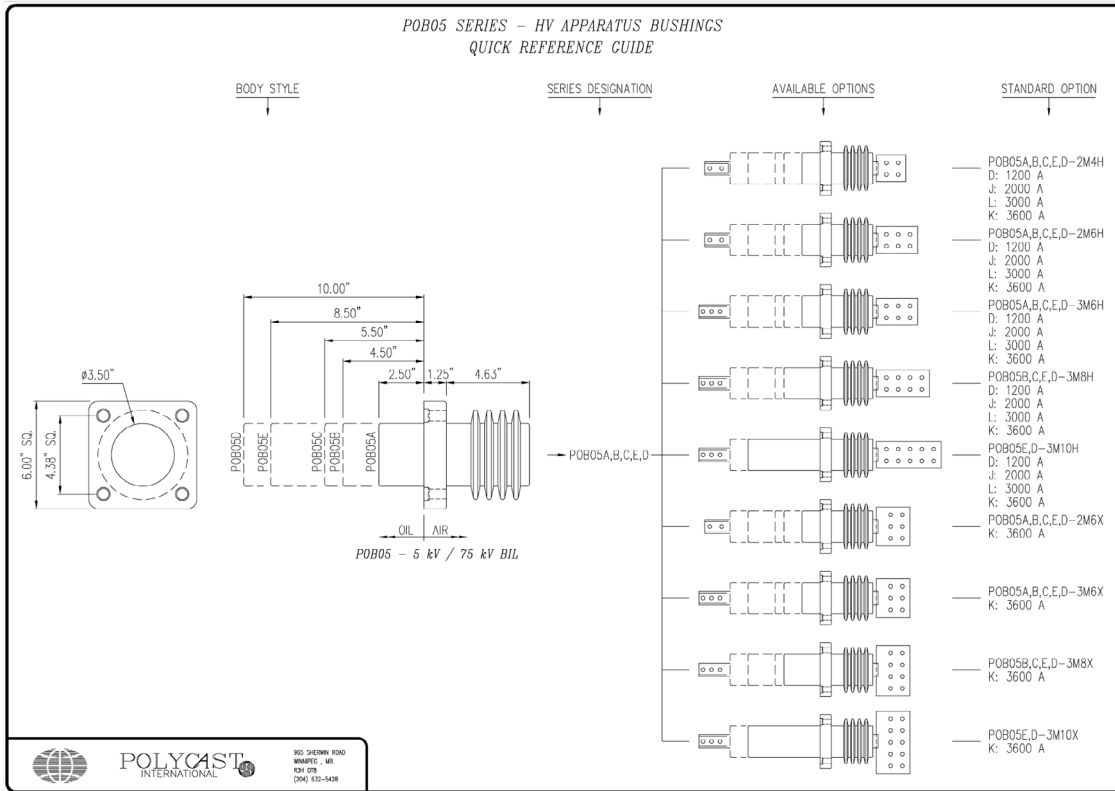
Catalog Reference	Length Below Flange	Conductor Sizes Available	Current Rating (Amps)	BIL oil/air	BIL air/air	Base Style Number	Catalog Page Number
POB05A	2.5"	POB05AD = 1.50" dia POB05AJ = 2.00" dia POB05AL = 2.25" dia POB05AK = 2.50" dia	1200-1800 2000-2800 3000-4200 3600-5000	75kV	45k	160-0xxX-00	2 & 3Hole milled flats oil side with 4, 6, 8, 10 Holes Spades air side See Sec 5 - P 160b Special Terminations See Sec 5 - P 160c
POB05B	4.5"	POB05BD, BJ, BL, BK	as above	75kV	60kV	160-1xxX-00	
POB05C	5.5"	POB05CD, CJ, CL, CK	as above	75kV	60kV	160-2xxX-00	
POB05E	8.5"	POB05ED, EJ, EL, EK	as above	75kV	75kV	160-3xxX-00	
POB05D	10.0"	POB05DD, DJ, DL, DK	as above	75kV	75kV	160-4xxX-00	

Outline details of these items are on following pages. Please order by Style Number.

HV Apparatus Bushings

POB05 Series - Outline Details

45kV to 75kV BIL



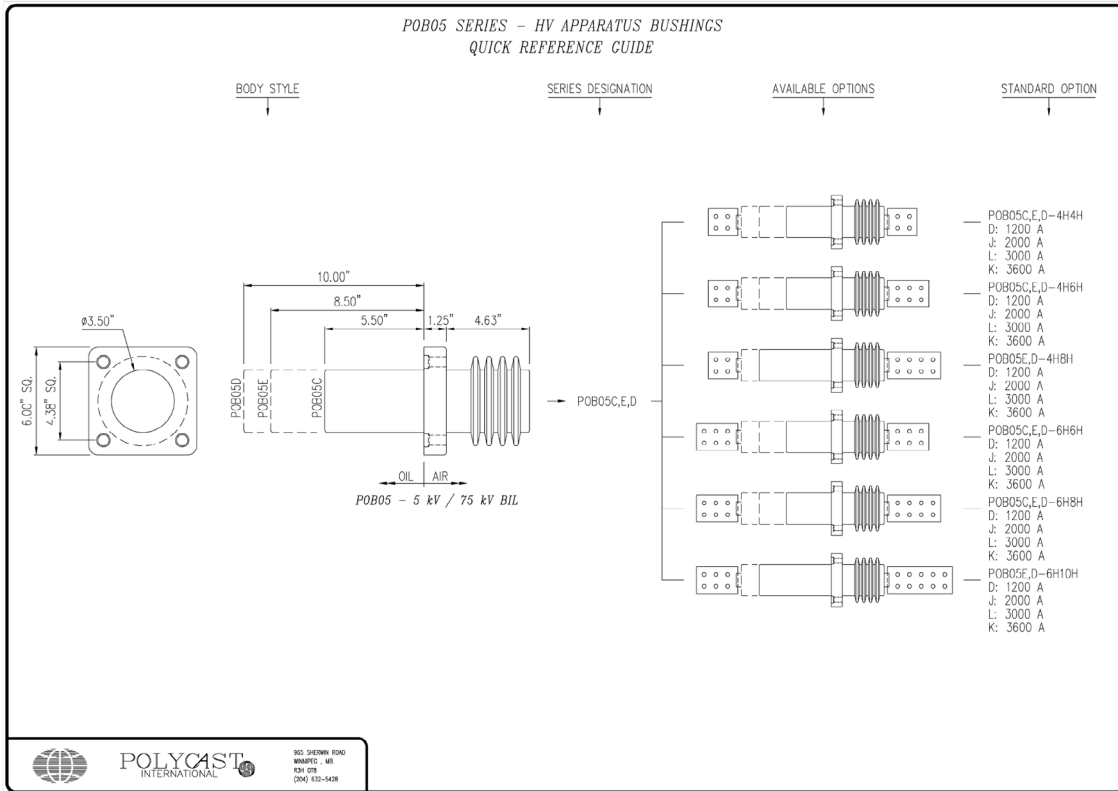
Style Numbers POB05- Style Milled below flange, Nema Spade above flange

Catalog Outline	Holes Below Flange	Holes Above Flange	POB05AD 1200A 1.5" dia stud	POB05AJ 2000A 2.0" dia stud	POB05AL 3000A 2.25" dia stud	POB05AK 3600A 2.5" dia stud	POB05AK X 3600A 2.5" dia stud	Air/Oil BIL (kV)	Air/Air BIL (kV)
POB05A 2.5" below flange	2	4	160-001D-01	160-002D-01	160-000D-01	160-003D-01	-	75	45
		6	160-001D-02	160-002D-02	160-000D-02	160-003D-02	160-004D-01		
	3	6	160-011D-01	160-012D-01	160-010D-01	160-013D-01	160-014D-01		
POB05B 4.5" below flange	2	4	160-101D-01	160-102D-01	160-100D-01	160-103D-01	-	75	60
		6	160-101D-02	160-102D-02	160-100D-02	160-103D-02	160-104D-01		
	3	6	160-111D-01	160-112D-01	160-110D-01	160-113D-01	160-114D-01		
POB05C 5.5" below flange	2	4	160-201D-01	160-202D-01	160-200D-01	160-203D-01	-	75	60
		6	160-201D-02	160-202D-02	160-200D-02	160-203D-02	160-204D-01		
	3	8	160-211D-01	160-212D-01	160-210D-01	160-213D-01	160-214D-01		
POB05E 8.5" below flange	2	4	160-301D-01	160-302D-01	160-300D-01	160-303D-01	-	75	75
		6	160-301D-02	160-302D-02	160-300D-02	160-303D-02	160-304D-01		
	3	6	160-311D-01	160-312D-01	160-310D-01	160-313D-01	160-314D-01		
		8	160-311D-02	160-312D-02	160-310D-02	160-313D-02	160-314D-02		
POB05D 10.0" below flange	2	4	160-401D-01	160-402D-01	160-400D-01	160-403D-01	-	75	75
		6	160-401D-02	160-402D-02	160-400D-02	160-403D-02	160-404D-01		
	3	6	160-411D-01	160-412D-01	160-410D-01	160-413D-01	160-414D-01		
		8	160-411D-02	160-412D-02	160-410D-02	160-413D-02	160-414D-02		
		10	-	160-412D-03	160-410D-03	160-413D-03	-		

HV Apparatus Bushings

POB05 Series - Outline Details

45kV to 75kV BIL



Style Numbers *POB05- Style* *Nema Spades above and below flange*

Catalog Outline	Holes Below Flange	Holes Above Flange	POB05AD 1200A 1.5" dia stud	POB05AJ 2000A 2.0" dia stud	POB05AL 3000A 2.25" dia stud	POB05AK 3600A 2.5" dia stud	Air/Oil BIL (kV)	Air/Air BIL (kV)
POB05 C 5.5" below flange	4	4	160-201E-05	160-202E-05	160-205E-05	160-203E-05	75	60
	4	6	160-201E-06	160-202E-06	160-205E-06	160-203E-06		
	6	6	160-211E-05	160-212E-05	160-215E-05	160-213E-05		
	6	8	160-211E-06	160-212E-06	160-215E-06	160-213E-06		
POB05 E 8.5" below flange	4	4	160-301E-05	160-302E-05	160-305E-05	160-303E-05	75	75
	4	6	160-301E-06	160-302E-06	160-305E-06	160-303E-06		
	4	8	160-301E-07	160-302E-07	160-305E-07	160-303E-07		
	6	6	160-311E-05	160-312E-05	160-315E-05	160-313E-05		
	6	8	160-311E-06	160-312E-06	160-315E-06	160-313E-06		
	6	10	160-311E-07	160-312E-07	160-315E-07	160-313E-07		
POB05 D 10.0" below flange	4	4	160-401E-05	160-402E-05	160-405E-05	160-403E-05	75	75
	4	6	160-401E-06	160-402E-06	160-405E-06	160-403E-06		
	4	8	160-401E-07	160-402E-07	160-405E-07	160-403E-07		
	6	6	160-411E-05	160-412E-05	160-415E-05	160-413E-05		
	6	8	160-411E-06	160-412E-06	160-415E-06	160-413E-06		
	6	10	160-411E-07	160-412E-07	160-415E-07	160-413E-07		