

# Window Bushings

PSWB Series  
95kV to 150kV BIL



PSWB008



PSWBTB15



PSWBTB35



PSWBBF25

PSWB bushings have HV and LV shields integrally cast in epoxy for control of electrical field distribution. They provide full insulation to ground and are suitable for use with bare or insulated bus. Note the exception in the PSWB O Style description.

### Style Available:

- PSWB O Style wall bushings with brass tube for primary passage (on these units the internal ground shield is optional).
- PSWB TB Style wall bushings with HV and LV shields and four insert mounting flange. Ground shields can be extended for current transformer mounting. Optional bus location plates available.
- PSWB BF Style wall bushings intended for IPB duct applications. Units are available to 150kV BIL with provision for mounting current transformers.

### Application:

- in switchgear and other power apparatus as bus entrance and cell transition insulation
- with single or multiple conductors of any size
- indoor applications (not exposed to UV radiation)
- rated -5°C to 120°C

### Construction:

- one piece epoxy
- mounting flanges on most models
- optional window sizes for different conductor profiles

## Standard Arrangements

| Catalog Reference | Window Sizes | 95kV BIL | 125kV BIL | 150kV BIL | See Page No. |
|-------------------|--------------|----------|-----------|-----------|--------------|
| PSWBO             | open         | yes      | no        | no        | 6-177b       |
| PSWBTB            | 3.25"        | yes      | yes       | yes       | 6-177c       |
|                   | 4.50"        | yes      | yes       | yes       |              |
| PSWBFF            | open         | yes      | yes       | yes       | 6-177d       |

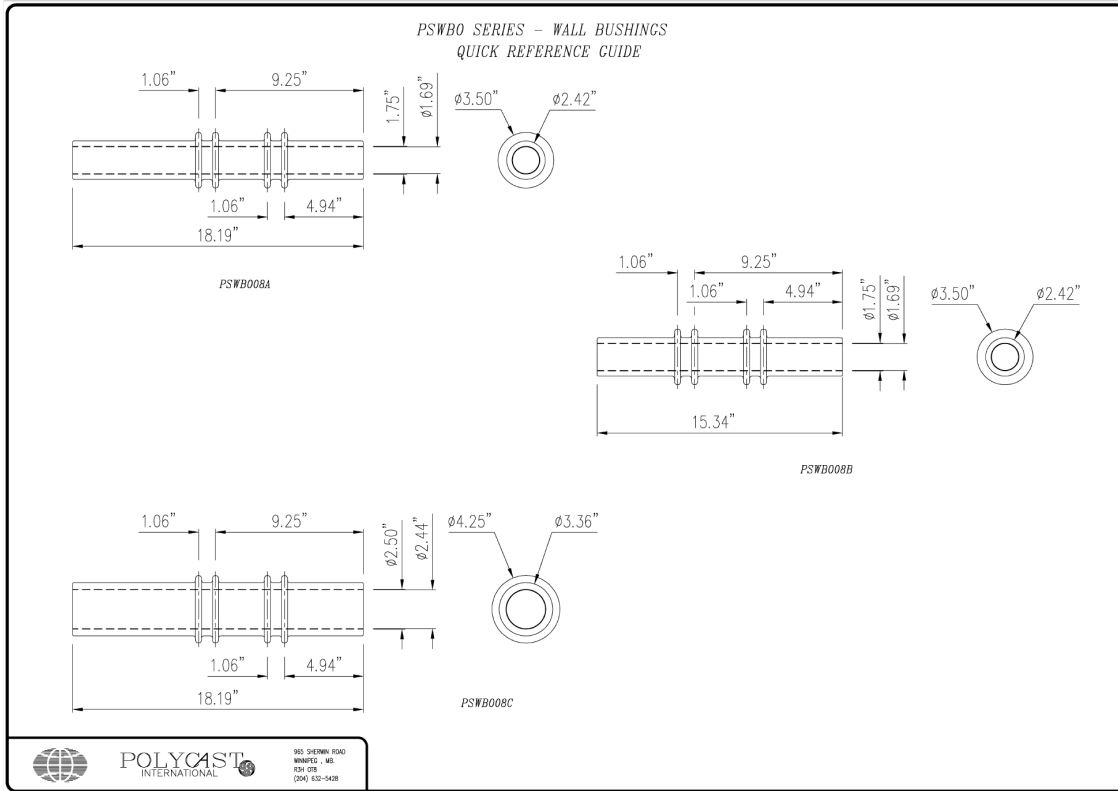
Outline details of these items are on following pages.

Please order by Style Number.

# Shielded Window Bushings

## PSWBO Series - Outline Details

Not BIL Rated



### Style Numbers: PSWBO Series

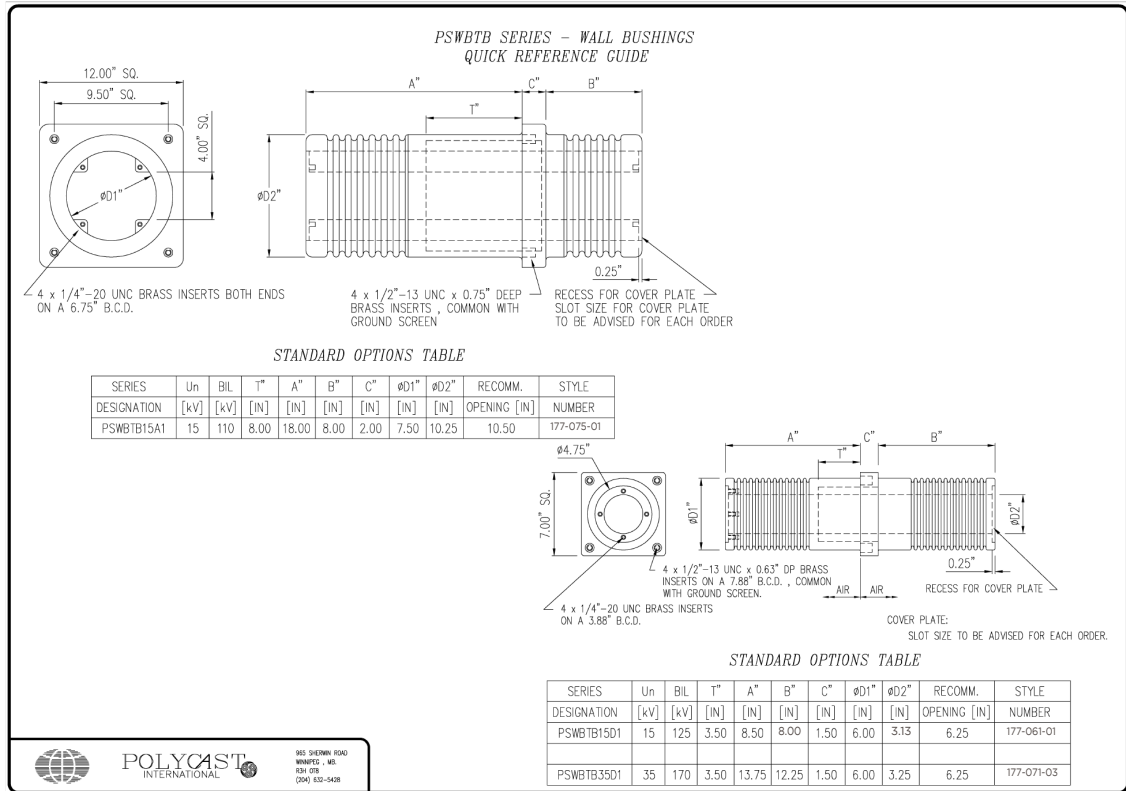
| PSWBO-08A/ PSWBO-08B<br>Red Indoor Epoxy |             |            | PSWBO-08C<br>Red Indoor Epoxy |             |            |
|--|-------------|------------|-------------------------------|-------------|------------|
| I/D = 1.69" min                          |             |            | I/D = 2.44" min               |             |            |
| Length                                   | Maximum O/D | Style No.  | Length                        | Maximum O/D | Style No.  |
| 18.19"                                   | 3.50"       | 177-005-01 | 18.19"                        | 4.25"       | 177-006-01 |
| 15.34"                                   | 3.50"       | 177-005-02 |                               |             |            |

#### Notes:

- PSWBO Style Bushings are available in grey Cycloaliphatic epoxy (PCYSWBO Series).
- PSWBO can be designed to include ground shield, and these units can be voltage rated.

# Shielded Window Bushings

## PSWB TB Series - Outline Details to 170kV BIL



### Style Numbers: PSWB-TB Series

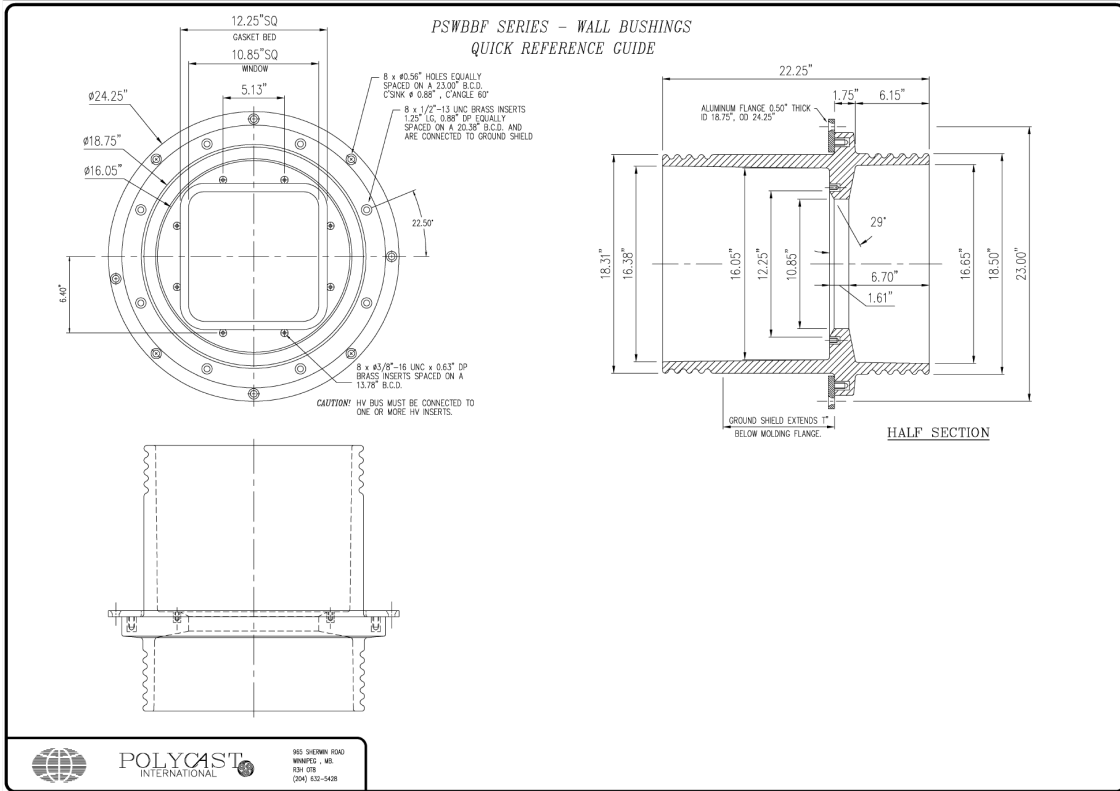
| PSWB-TB-A1<br>Red Indoor Epoxy<br>12.0" sq. flange |                       |            |            | PSWB-TB-D1<br>Red Indoor Epoxy<br>7.0" sq. flange |                       |            |            |
|--|-----------------------|------------|------------|---|-----------------------|------------|------------|
| BIL (kV)   | D1 Minimum Window I/D | 'T' Length | Style No.  | BIL (kV)  | D1 Minimum Window I/D | 'T' Length | Style No.  |
| 110  | 7.50"                 | 8.0"       | 177-075-01 | 125   | 3.13"                 | 1.0"       | 177-061-01 |
|  |                       |            |            | 170   | 3.25"                 | 3.5"       | 177-071-03 |

**Notes:**

- PSWB-TB Style Bushings are available in grey Cycloaliphatic epoxy (PCYSWB-TB Series).

# Shielded Window Bushings

## PSWB BF Series - Outline Details to 150kV BIL



### Style Numbers: PSWB-BF Series

|                                  |                   |                  |
|----------------------------------|-------------------|------------------|
| <b>PSWBF15</b>                   |                   |                  |
| <b>Grey Cycloaliphatic Epoxy</b> |                   |                  |
| <b>Flange O/D = 24.25"</b>       |                   |                  |
| <b>Window 10.85" square</b>      |                   |                  |
| <b>BIL (kV)</b>                  | <b>'T' Length</b> | <b>Style No.</b> |
| 95                               | 9.0"              | 177-010-01       |

#### Notes:

- PSWBBF bushings are designed to include ground shielding to permit 0.6 kV CT mounting to 'T' length less one half inch below the flange.