



Polycast International

965 Sherwin Road
Winnipeg, Manitoba
Canada R3H 0T8
T (204) 632 5428
F (204) 697 0314
Toll-free 1 800 665 7445
www.polycast.ca

POCTP Series Outdoor Type Current Transformer

Product Manual

December 2014

POCTP Series Outdoor Type Current Transformer Product Manual

Copyright © 2014 Polycast International

All Rights Reserved.

Permission is granted to use and/or reproduce this material for non-commercial purposes. Reproduction or distribution of any portion of this publication for any other purpose is not permitted.

Disclaimer

Every effort has been made to ensure this publication is as complete and accurate as possible, but no warranty or fitness is implied. The information is provided on an “as is” basis. The authors and the publisher shall have neither liability nor responsibility to any person or entity with respect to any loss or damages arising from the information contained in this publication.

Mailing and Contact Information

Polycast International
965 Sherwin Road
Winnipeg, Manitoba
Canada R3H 0T8

T (204) 632 5428
F (204) 697 0314

Toll-free 1 800 665 7445

www.polycast.ca

Current Transformers: Standards and Ratings

Standard Features	Voltage Ratings				
<p>Current Ratings Most Polycast current transformers are available as single, double or multi-ratio units. Five amp secondaries are standard, but one amp secondaries are available for most styles. Maximum and minimum primary ratings depend upon the style selected.</p> <p>Accuracy Ratings For most applications the simplicity and high mechanical withstand capability of window type and bar type CTs makes them preferable for most applications. Wound primary CTs are recommended where very high accuracy at lower ratios (5-5A through 300-5A) is required.</p> <p>Testing Polycast testing capabilities include polarity, ratio and phase angle, saturation, temperature rise, open circuit, induced, power factor, hipot, impulse, partial discharge, low temperature withstand and other physical and mechanical testing.</p> <p>Note: All Polycast current transformers are individually tested. Routine and type test reports are available upon request.</p>	Polycast Standard Designation	Nom. Voltage Class kV	Low Freq. Dry kV	Impulse (BIL) kV Crest 1.2x50Qs	Chopped Wave kV Crest (Qs)
	0.6	0.7	4	10	12 (1.0)
	05	5.0	19	60	69 (1.5)
	08	8.7	26	75	88 (1.6)
	15	15.0L	34	95	110 (2.0)
	18	15.0H	36	110	130 (2.0)
	25	27.5L	50	125	145 (3.0)
	28	27.5H	60	150	175 (3.0)
	<p>The above values are based upon, and are intended to meet the most stringent requirements of, the following standards: ANSI/IEEE C57.13, CSA-C60044-1 and IEC 61869-2</p>				

Material Standards

- Cores are grain-oriented silicon steel (M4 or higher), annealed after forming, to provide maximum accuracy.
- Core insulation is electrical grade pressboard and kraft paper, or epoxy.
- Secondary coils are 200°C rated copper magnet wire with silver soldered connections to terminals or leads, and high quality electrical grade kraft or nomex interlayer insulation.
- Primaries (where provided) are electrolytic copper, electroplated with silver.
- Cast indoor units are manufactured from Bisphenol-A epoxy.
- Cast outdoor units are manufactured of cycloaliphatic epoxy, and are complete with weatherproof terminal boxes.
- All have nameplates and prominent polarity markings

Standard Terminology

Turns Ratio	The ratio of the secondary turns to one.
Current Ratio	The ratio of the primary current to the secondary current in amps
Transformer Correction Factor (TCF)	The correction for the overall error due to both ratio and phase angle error for a specified primary circuit power factor.
Ratio Correction Factor (RCF)	The ratio of the true ratio to the marked ratio (excitation & other losses result in ratio error)
Rated Burden	The maximum load which may be placed on the CT secondary without causing an error greater than that allowed by the stated accuracy (in ohms impedance, e.g. B0.1, B0.9, B2 or corresponding volt-ampere values of 2.5, 22.5, 50 VA).
Accuracy Class	<p>Metering Accuracy: The TCF shall be within specified limits at 10%, 100%, and $CCRF \times 100\%$ at a given power factor with a specified burden</p> <p>Relaying Accuracy: The composite error shall not exceed a specified percentage error at a specified secondary terminal voltage based on a maximum fault level of secondary current</p>
Continuous Current Rating Factor (CCRF)	The factor by which the rated current of the CT can be multiplied to obtain the maximum continuous current that the CT can carry without exceeding the temperature rise or accuracy requirements
1 Second Thermal Withstand	The maximum RMS symmetrical primary current that can be carried for one second with the secondary short circuited without exceeding the limiting temperature
Mechanical Withstand	The maximum RMS asymmetrical primary current that a CT can carry with the secondary short circuited without any damage which would render it incapable of meeting other standard accuracy and transformation requirements

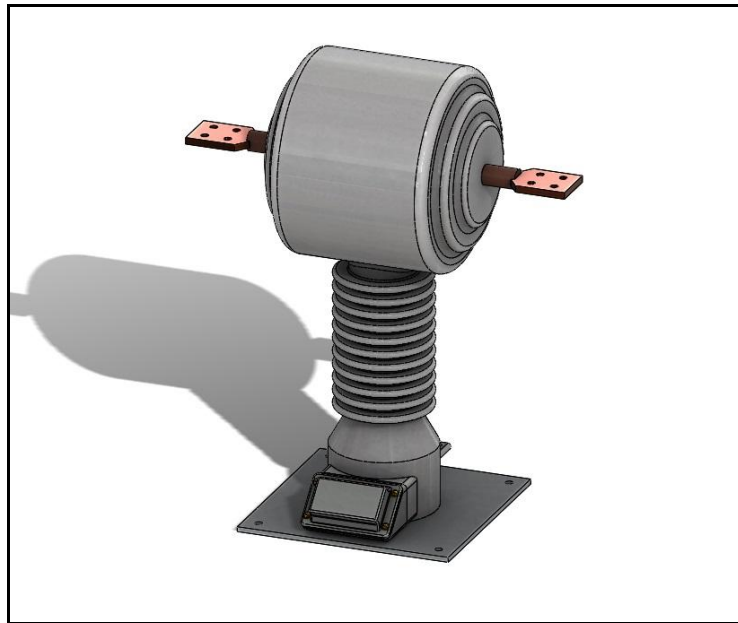
Special Considerations

- Current Transformers should never have primary current applied with the secondaries open-circuited. This is especially true at higher current ratios (1200-5A and above) where the open circuit voltage may exceed the open circuit standard test voltage limit of 3500 Volts.
- The test standard and any special requirements for each current transformer ordered should be specified on the purchase order.
- Because the conditions of use of any current transformer is beyond the control of the supplier, it is always the responsibility of the user to ensure that the current/voltage ratings and the accuracy of the transformer used is adequate for his application.

Design and Construction:

Bar type current transformers are used to provide an output in their secondary windings which is a representation of current flowing through a conductor which has been cast within the current transformer body.

A **POCTP Series Current Transformer** is manufactured using an insulated annealed toroidal core of high grade grain-oriented silicon electrical steel around which is wound turns of 200°C enamel coated copper wire. The turns are uniformly distributed around the core to ensure low leakage flux. This assembly is then encapsulated in a cycloaliphatic epoxy, with a copper primary conductor and brass inserts for the secondary terminals. A terminal box with removable cover plate is included to provide protection for the secondary terminals from the elements. Polarity is clearly indicated by white dots at the X1 terminal and at the corresponding face of the cast POCTP Series current transformer. Each unit has a nameplate which indicates the required electrical ratings and a unique serial number.



POCTP Series Style Current Transformer

Maintenance:

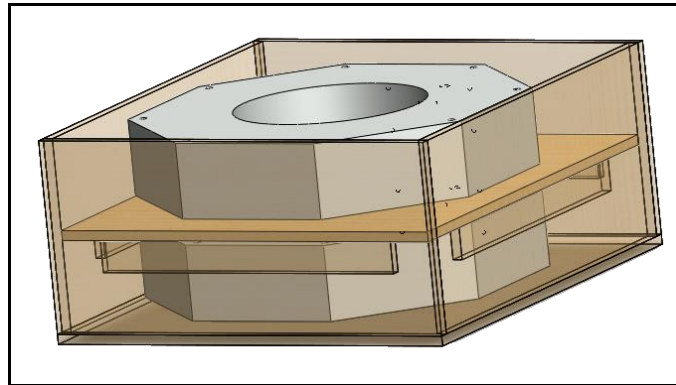
Periodically it may be necessary to check that all connections between the current transformer and control panel are secure. If required, electrical testing of the current transformers must only be done by trained and fully qualified personnel.

The POCTP Series Current Transformers require little or no maintenance. The current transformers are insensitive to temperature extremes, moisture and most environmental contaminants.

Shipping:

The wood crates in which the POCTP Series Current Transformers are packed are marked with international symbols and constructed with provisions for handling with a forklift. After unloading the crate, it should be checked visually for any signs of damage during transport. It is important to visually inspect each POCTP Series Current Transformer for signs of damage to the cast resin body and metal parts.

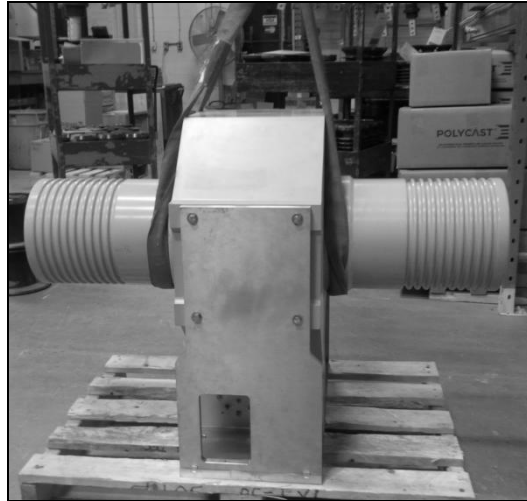
All claims must be placed with both the transport company and Polycast International to follow the official procedure. If it is necessary to return the POCTP Series Current Transformer to Polycast, please use the original crate and method of strapping in which they were originally shipped.



Example of crated units

Handling:

When lifting the POCTP Series Current Transformer, to unpack, move or re-pack them in shipping crates, slip a hoist sling over the primary conductor on either side of the CT body. Ensure that the sling is fitted properly and located right beside the CT body on each side. The photo below illustrates the proper hoist and sling set-up for lifting the POCTP Series Current Transformers.



Storage:

Polycast CTs and bushings are designed for outdoor, severe condition use with minimal maintenance requirements. When storing Polycast CTs and bushings for future use, we recommend the CTs and bushings be stored indoors, in a clean, dry place in the shipping crate and at normal room temperature.

For long term storage, suitable protection should be provided for the terminals and mounting hardware. Polycast bushings can also be stored outdoors (temperature range from -40°C to 60°C) if properly enclosed to maintain dryness. For more information please contact Polycast Customer Relations at service@polycast.ca.

Handling & Storage Questions:

If you have any questions on handling or storing Polycast products, please contact:

Manager, Customer Relations
Polycast International
1-800-665-7445; Ext. 211
service@polycast.ca

Installation:

The **POCTP Series Current Transformer** are custom designed to fit in-line with medium voltage bus bar(s). They are designed as to permit horizontal (upright) mounting only.

CAUTION:

If the secondary of a current transformer is left open circuited when energized, dangerously high voltages can develop between the secondary terminals within the current transformer winding. If such an event occurs, the current transformer must be demagnetized and tested before being placed in service. Circuits are closed by use of an appropriate burden connected to the terminals, or by a short circuiting link.

DO NOT ENERGIZE THE UNIT IF THE MOUNTING FRAME IS NOT PROPERLY GROUNDED.