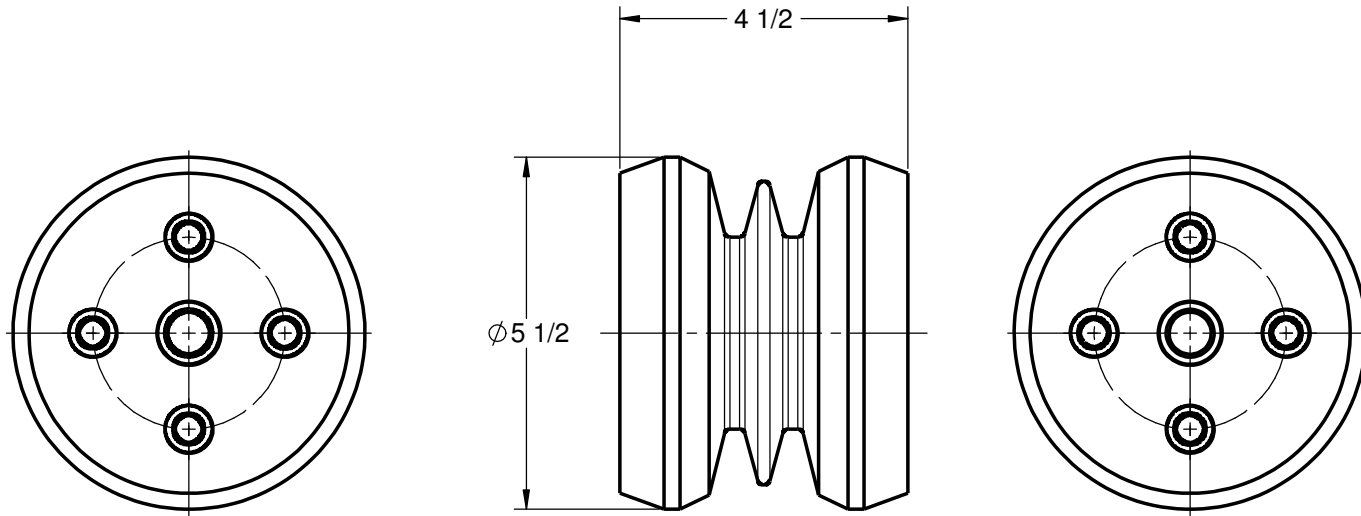


GENERAL NOTES AND SPECIFICATIONS

1. BASIC IMPULSE LEVEL: 75 kV
2. BODY MATERIAL: OUTDOOR CYCLOALIPHATIC EPOXY, GREY
3. INSERT MATERIAL: ZINC PLATED STEEL
4. WEIGHT: 6 lb(s)

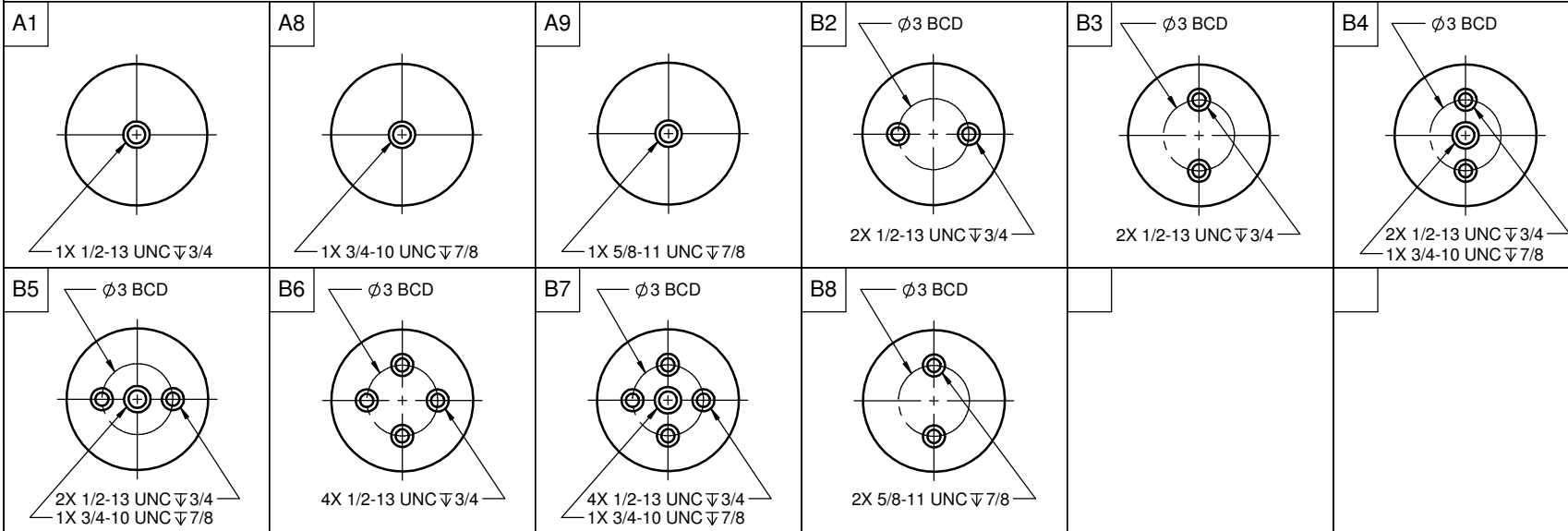


COMMON OPTIONS

CHOOSE TOP AND BOTTOM MOUNTING CONFIGURATION FROM TABLE BELOW
OTHER MOUNTING CONFIGURATIONS ARE ALSO AVAILABLE UPON REQUEST

SERIES ITEM	CONFIG
100-308-01	A8A8
100-308-02	A8B2
100-308-03	B2B2
100-308-04	B2B3
100-308-05	B2B6
100-308-06	B4B4
100-308-07	B4B5
100-308-08	B6B6
100-308-09	B7B7
100-308-10	A8B6
100-308-11	A8B8
100-308-12	B4B6
100-308-13	A1A1

STANDARD MOUNTING INSERT CONFIGURATION



100-308-16	A9A9
100-308-20	A1A6
100-308-21	A8B7
100-308-22	A9B6
100-308-23	B5B7
100-308-24	B5B6
100-308-29	A9B7
100-308-30	A1B2
100-308-31	A1B6
100-308-41	A1B7

POLYCAST®

486 SHEPPARD ST
WINNIPEG, MB
CANADA R2X 2P8
www.polycast.ca

CONFIDENTIALITY

THIS DRAWING ALONG WITH INFORMATION AND RELATED DOCUMENTS MAY NOT BE DUPLICATED OR RELEASED IN WHOLE OR IN PART WITHOUT WRITTEN PERMISSION AND IS THE EXCLUSIVE PROPERTY OF POLYCAST INTERNATIONAL

PRODUCT SERIES

POI30A SERIES - 8kV/75kV BIL INSULATOR

SERIES NUMBER

100-308-00