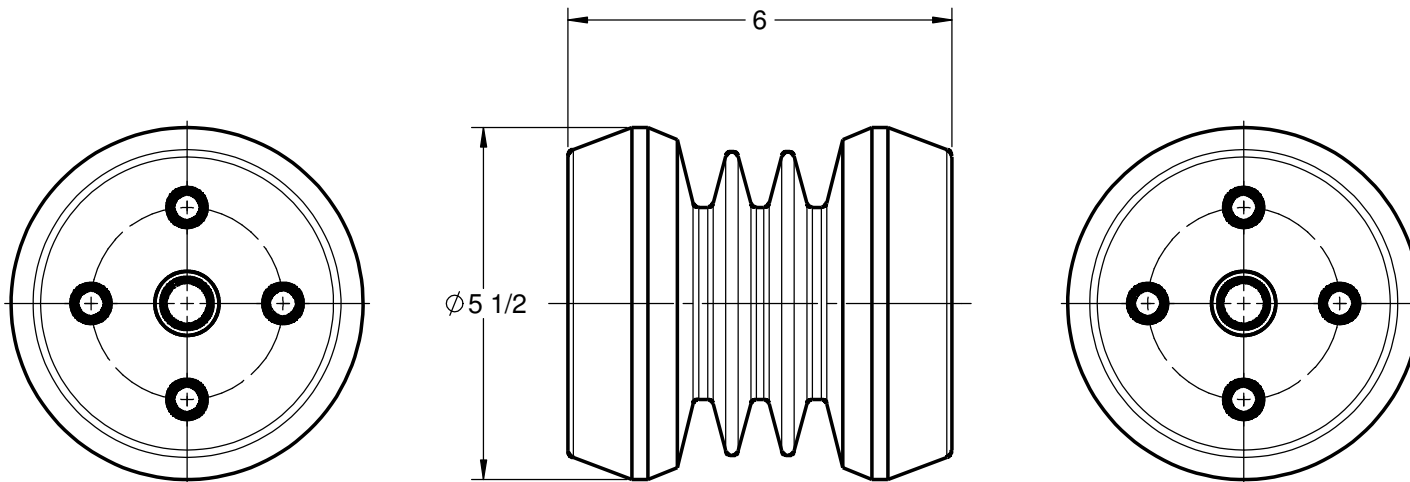


**GENERAL NOTES AND SPECIFICATIONS**

1. BASIC IMPULSE LEVEL: 95 kV
2. BODY MATERIAL: OUTDOOR CYCLOALIPHATIC EPOXY, GREY
3. INSERT MATERIAL: ZINC PLATED STEEL
4. WEIGHT: 7 lb(s)

**COMMON OPTIONS**

CHOOSE TOP AND BOTTOM MOUNTING CONFIGURATION FROM TABLE BELOW
 OTHER MOUNTING CONFIGURATIONS ARE ALSO AVAILABLE UPON REQUEST

SERIES ITEM	CONFIG
100-315-01	A8A8
100-315-02	A8B2
100-315-03	B2B2
100-315-04	B2B3
100-315-05	B2B6
100-315-06	B4B4
100-315-07	B4B5
100-315-08	B6B6
100-315-09	B7B7
100-315-10	A8B6
100-315-11	A8B8
100-315-12	B4B6
100-315-13	A1A1

STANDARD MOUNTING INSERT CONFIGURATION

A1 	A8 	A9 	B2 	B3 	B4
B5 	B6 	B7 	B8 		

100-315-16	A9A9
100-315-20	A1A6
100-315-21	A8B7
100-315-22	A9B6
100-315-23	B5B7
100-315-24	B5B6
100-315-29	A9B7
100-315-30	A1B2
100-315-31	A1B6
100-315-41	A1B7

POLYCAST

486 SHEPPARD ST
 WINNIPEG, MB
 CANADA R2X 2P8
 www.polycast.ca

CONFIDENTIALITY

THIS DRAWING ALONG WITH INFORMATION AND RELATED DOCUMENTS MAY NOT BE DUPLICATED OR RELEASED IN WHOLE OR IN PART WITHOUT WRITTEN PERMISSION AND IS THE EXCLUSIVE PROPERTY OF POLYCAST INTERNATIONAL

PRODUCT SERIES

POI30A SERIES - 15kV/95kV BIL INSULATOR

SERIES NUMBER

100-315-00