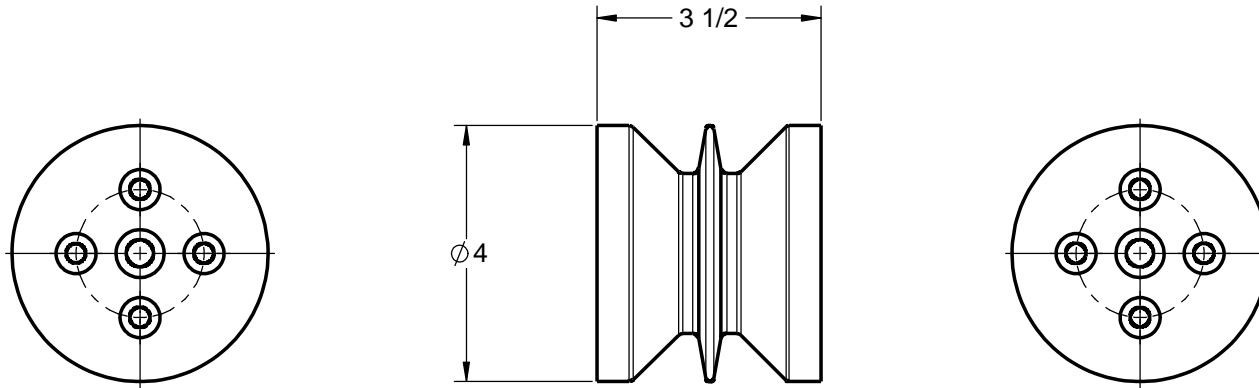


**GENERAL NOTES AND SPECIFICATIONS**

1. BASIC IMPULSE LEVEL: 60 kV
2. BODY MATERIAL: INDOOR BIS-A EPOXY, RED
3. INSERT MATERIAL: ZINC PLATED STEEL
4. WEIGHT: 3 lb(s)



**COMMON OPTIONS**

CHOOSE TOP AND BOTTOM MOUNTING CONFIGURATION FROM TABLE BELOW  
OTHER MOUNTING CONFIGURATIONS ARE ALSO AVAILABLE UPON REQUEST

SERIES ITEM	CONFIG
105-205-01	A1A1
105-205-02	A1A2
105-205-03	A2A2
105-205-04	A2A3
105-205-05	A2A6
105-205-06	A4A4
105-205-07	A4A5
105-205-08	A6A6
105-205-09	A7A7
105-205-10	A9A9
105-205-11	A6A8
105-205-12	A2A9
105-205-13	A1A8
105-205-14	A2A7
105-205-15	A8A8
105-205-16	A6A9
105-205-19	A4A6
105-205-20	A1A4
105-205-31	A4A7
105-205-32	A2C1
105-205-33	A6C1
105-205-34	A1A9
105-205-41	C1C1
105-205-43	A1C1

**STANDARD MOUNTING INSERT CONFIGURATION**

<b>A1</b>  1X 1/2-13 UNC $\nabla$ 3/4	<b>A2</b> $\phi$ 2 BCD  2X 3/8-16 UNC $\nabla$ 5/8	<b>A3</b> $\phi$ 2 BCD  2X 3/8-16 UNC $\nabla$ 5/8	<b>A4</b> $\phi$ 2 BCD  2X 3/8-16 UNC $\nabla$ 5/8 1X 1/2-13 UNC $\nabla$ 3/4	<b>A5</b> $\phi$ 2 BCD  2X 3/8-16 UNC $\nabla$ 5/8 1X 1/2-13 UNC $\nabla$ 3/4	<b>A6</b> $\phi$ 2 BCD  4X 3/8-16 UNC $\nabla$ 5/8
<b>A7</b> $\phi$ 2 BCD  4X 3/8-16 UNC $\nabla$ 5/8 1X 1/2-13 UNC $\nabla$ 3/4	<b>A8</b>  1X 3/4-10 UNC $\nabla$ 7/8	<b>A9</b>  1X 5/8-11 UNC $\nabla$ 7/8	<b>C1</b>  1X 3/8-16 UNC $\nabla$ 5/8		