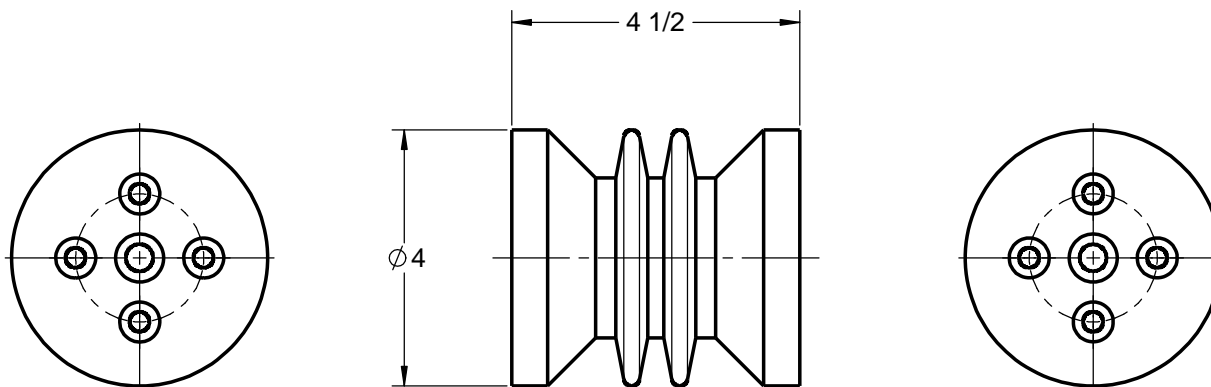


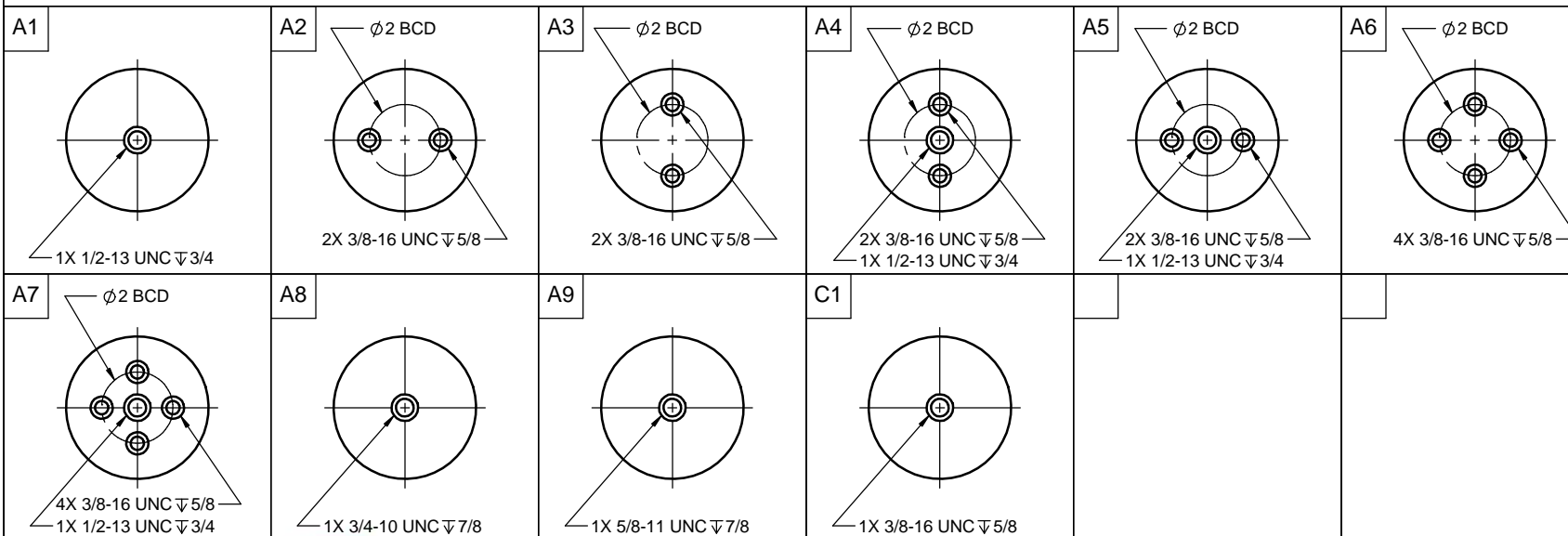
**GENERAL NOTES AND SPECIFICATIONS**

1. BASIC IMPULSE LEVEL: 75 kV
2. BODY MATERIAL: INDOOR BIS-A EPOXY, RED
3. INSERT MATERIAL: ZINC PLATED STEEL
4. WEIGHT: 3 lb(s)

**COMMON OPTIONS**

CHOOSE TOP AND BOTTOM MOUNTING CONFIGURATION FROM TABLE BELOW
OTHER MOUNTING CONFIGURATIONS ARE ALSO AVAILABLE UPON REQUEST

SERIES ITEM	CONFIG
105-208-01	A1A1
105-208-02	A1A2
105-208-03	A2A2
105-208-04	A2A3
105-208-05	A2A6
105-208-06	A4A4
105-208-07	A4A5
105-208-08	A6A6
105-208-09	A7A7
105-208-10	A9A9
105-208-11	A6A8
105-208-12	A2A9
105-208-13	A1A8

STANDARD MOUNTING INSERT CONFIGURATION

105-208-14	A2A7
105-208-15	A8A8
105-208-16	A6A9
105-208-18	A1A6
105-208-20	A1A4
105-208-21	A8A9
105-208-23	A2A8
105-208-30	A1A7
105-208-31	A4A7
105-208-41	C1C1