



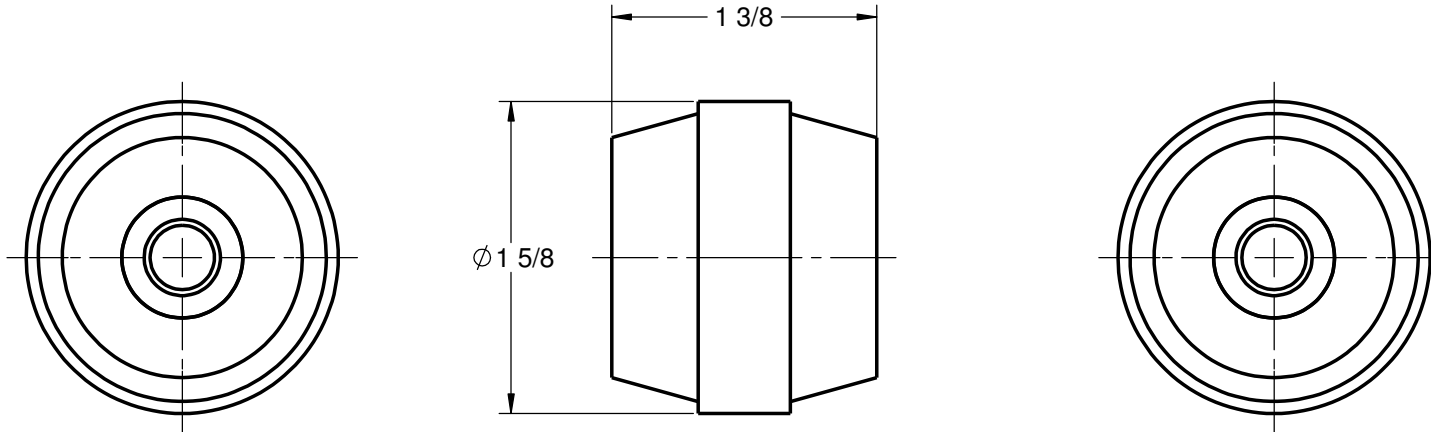
GENERAL NOTES AND SPECIFICATIONS

- 1. BASIC IMPULSE LEVEL: 10 kV
- 2. BODY MATERIAL: INDOOR BIS-A EPOXY, RED
- 3. INSERT MATERIAL: ZINC PLATED STEEL
- 4. WEIGHT: 0.2 lb(s)

COMMON OPTIONS

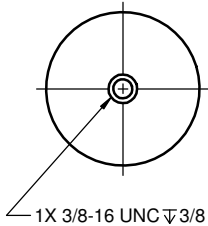
CHOOSE TOP AND BOTTOM MOUNTING CONFIGURATION FROM TABLE BELOW
OTHER MOUNTING CONFIGURATIONS ARE ALSO AVAILABLE UPON REQUEST

SERIES ITEM	CONFIG
105-401-01	C4C4



STANDARD MOUNTING INSERT CONFIGURATION

C4



POLYCAST 486 SHEPPARD ST
WINNIPEG, MB
CANADA R2X 2P8
www.polycast.ca

CONFIDENTIALITY
THIS DRAWING ALONG WITH INFORMATION AND RELATED DOCUMENTS MAY NOT BE DUPLICATED OR RELEASED IN WHOLE OR IN PART WITHOUT WRITTEN PERMISSION AND IS THE EXCLUSIVE PROPERTY OF POLYCAST INTERNATIONAL

PRODUCT SERIES
PIID SERIES - 600V/10kV BIL INSULATOR

SERIES NUMBER
105-401-00