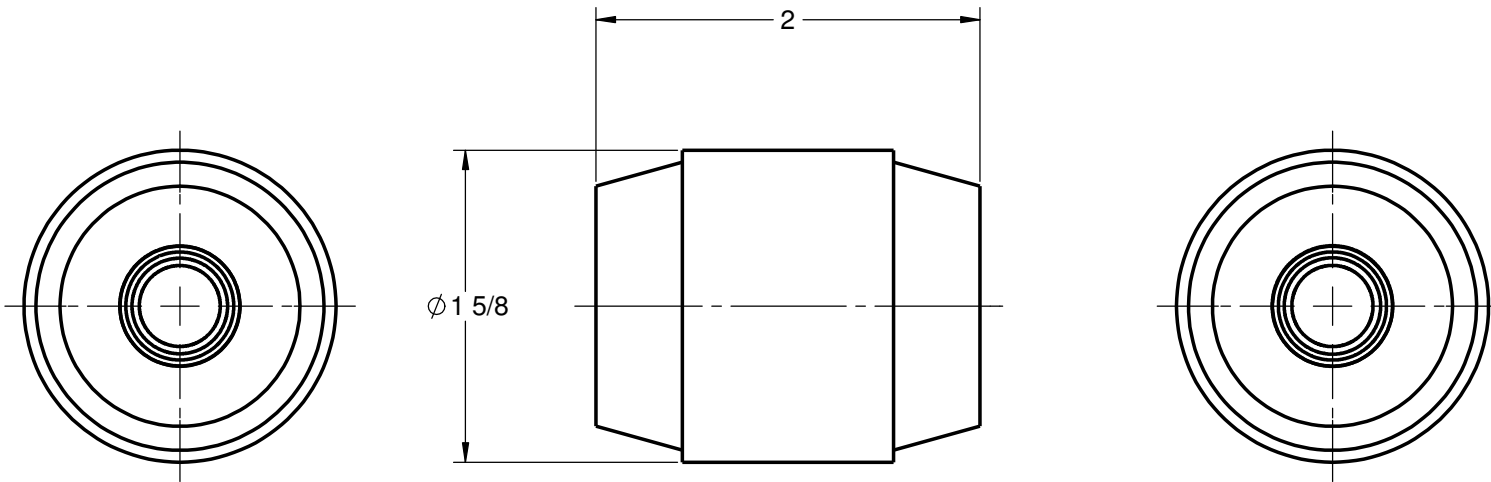




GENERAL NOTES AND SPECIFICATIONS

1. BASIC IMPULSE LEVEL: 45 kV
2. BODY MATERIAL: INDOOR BIS-A EPOXY, RED
3. INSERT MATERIAL: ZINC PLATED STEEL
4. WEIGHT: 0.3 lb(s)



COMMON OPTIONS

CHOOSE TOP AND BOTTOM MOUNTING CONFIGURATION FROM TABLE BELOW
 OTHER MOUNTING CONFIGURATIONS ARE ALSO AVAILABLE UPON REQUEST

SERIES ITEM	CONFIG
105-412-41	C1C1
105-412-49	E4E4
105-412-60	D4D4

STANDARD MOUNTING INSERT CONFIGURATION

C1	 1X 3/8-16 UNC ∇ 5/8	D4	 1X 1/4-20 UNC ∇ 3/8			
E4	 1X 1/2-13 UNC ∇ 5/8					

POLYCAST[®]

486 SHEPPARD ST
 WINNIPEG, MB
 CANADA R2X 2P8
 www.polycast.ca

CONFIDENTIALITY
 THIS DRAWING ALONG WITH INFORMATION AND RELATED DOCUMENTS MAY NOT BE DUPLICATED OR RELEASED IN WHOLE OR IN PART WITHOUT WRITTEN PERMISSION AND IS THE EXCLUSIVE PROPERTY OF POLYCAST INTERNATIONAL

PRODUCT SERIES
 PIID SERIES - 2.4kV/45kV BIL
 INSULATOR

SERIES NUMBER
 105-412-00